

SHOEI®





LISTINO **20**
26












LISTINO PREZZI 2026

2	DDS <i>DISPOSITIVI DI SICUREZZA</i>
5	ACCESSORI
6	VISIERE
	RICAMBI
10	<i>J•O 2</i>
12	<i>J-CRUISE 3</i>
14	<i>NEOTEC 3</i>
17	<i>GT-AIR 3</i>
20	<i>X-SPR PRO</i>
23	<i>NXR 2</i>
26	<i>HORNET-ADV 06</i>
29	<i>VFX-WR 06</i>
32	<i>GLAMSTER 06</i>
34	<i>J-CRUISE 2</i>
36	<i>EX-ZERO</i>
38	<i>J•O</i>
40	<i>TR-3</i>
41	<i>GT-AIR 2</i>
44	<i>NEOTEC 2</i>
47	<i>X-SPIRIT 3</i>
53	<i>NXR</i>
56	<i>J-CRUISE</i>
58	<i>GT-AIR</i>
60	<i>NEOTEC</i>
62	<i>XR 1100</i>
64	<i>ALTRI RICAMBI</i>
65	<i>MERCHANDISING</i>

MODEL	TYPE	COLOUR • TC	€ IVA esclusa	€ IVA INCLUSA
J-O 2 	PLAIN	BLACK WHITE	327,05	399,00
	CANDY	MATT BLACK MATT BLUE METALLIC BASALT GREY	327,05	399,00
	GRAPHIC		384,43	469,00
	REPLICA / SPECIAL		400,82	489,00
J-CRUISE 3 	PLAIN	BLACK WHITE	450,00	549,00
	CANDY	MATT BLACK MATT BLUE METALLIC BASALT GREY CHALK GREY	450,00	549,00
	GRAPHIC		531,97	649,00
	REPLICA / SPECIAL		564,75	689,00
NEOTEC 3 	PLAIN	BLACK WHITE	548,37	669,00
	CANDY	MATT BLACK MATT BLUE METALLIC MATT DEEP GREY ANTHRACITE METALLIC LIGHT SILVER CHALK GREY GARNET METALLIC	572,96	699,00
	GRAPHIC		630,33	769,00
	REPLICA		654,92	799,00

MODEL	TYPE	COLOUR • TC	€ IVA esclusa	€ IVA INCLUSA
GT-AIR 3 	PLAIN	BLACK WHITE	490,98	599,00
	CANDY	MATT BLACK MATT DEEP GREY BRILLIANT YELLOW MATT BLUE METALLIC CHALK GREY	515,57	629,00
	GRAPHIC		597,54	729,00
	REPLICA		622,13	759,00
X-SPR Pro 	PLAIN	BLACK WHITE	654,92	799,00
	CANDY	MATT BLACK	654,92	799,00
	GRAPHIC		736,89	899,00
	REPLICA		777,87	949,00
NXR 2 	PLAIN	BLACK WHITE	392,63	479,00
	PLAIN XXXL	WHITE	433,61	529,00
	CANDY	MATT BLACK SHINE RED BASALT GREY MATT BLUE METALLIC CHALK GREY	409,02	499,00
	CANDY XXXL	MATT BLACK	433,61	529,00
	GRAPHIC		490,99	599,00
	REPLICA / SPECIAL		523,77	639,00

MODEL	TYPE	COLOUR · TC	€ IVA esclusa	€ IVA INCLUSA
HORNET-ADV 06 	PLAIN	BLACK WHITE	490,98	599,00
	CANDY		490,98	599,00
	GRAPHIC		597,54	729,00
VFX-WR 06 	PLAIN CANDY	BLACK WHITE MATT BLACK	441,81	539,00
	GRAPHIC		572,95	699,00
	REPLICA / SPECIAL		605,74	739,00
GLAMSTER 06 	PLAIN CANDY	BLACK OFF WHITE MATT BLACK BASALT GREY LAGUNA BLUE	392,62	479,00
	GRAPHIC		474,59	579,00
	REPLICA / SPECIAL		482,79	589,00

	CODICE	Codice SD	Codice JAN	DESCRIZIONE	€ IVA esclusa	€ IVA INCLUSA
CHIN CURTAIN 	960035	19 02 023 0	4512048534622	CHIN CURTAIN H (NEOTEC II PELLE)	18,87	23,02
	960036	19 02 024 0	4512048534639	CHIN CURTAIN I (NEOTEC II MESH)	18,87	23,02
	960026	19 02 017 0	4512048357092	CHIN CURTAIN E (NEOTEC)	18,87	23,02
	960040	19 02 025 0	4512048546595	CHIN CURTAIN J (GT-AIR II)	18,87	23,02
	960028	19 02 020 0	4512048380557	CHIN CURTAIN G (GT-AIR)	18,87	23,02
	960019	19 02 016 0	4512048303594	CHIN CURTAIN D (XR-1100, X-SPIRIT II, QWEST, NXR, HORNET ADV, X-SPIRIT III, RYD NXR2)	21,70	26,47
	960041	19 02 026 0	4512048557966	CHIN CURTAIN K (GLAMSTER)	18,87	23,02
	960005	19 02 003 0	4512048119706	UNIVERSAL CHIN CURTAIN	18,87	23,02
AIR MASQUE 	960007	19 03 001 0	4512048122508	AIR MASQUE1	47,66	58,15
	960008	19 03 002 0	4512048122515	AIR MASQUE2	39,64	48,36
	960012	19 03 004 0	4512048196097	AIR MASK 3	29,78	36,33
	960021	19 03 008 0	4512048317089	AIR MASK 4	28,24	34,45
	960034	19 03 009 0	4512048509163	AIR MASK 5 (X-SPIRIT III)	29,78	36,33
BREATH GUARD 	960018	19 01 010 0	4512048303587	BREATHGUARD F (GT-AIR II, NEOTEC II, RYD, NXR, GT-AIR, NEOTEC, QWEST, XR-1100, NXR2)	18,87	23,02
	960029	19 01 014 0	4512048496579	BREATHGUARD H (HORNET ADV)	21,70	26,47
	960030	19 01 015 0	4512048509156	BREATHGUARD J (X-SPR PRO - X-SPIRIT III)	18,87	23,02
	960044	19 01 006 0	4512048119690	UNIVERSAL BREATHGUARD	18,87	23,02
TEAR OFF	960023	19 03 006 0	4512048306465	CWF-1/CWR-F TEAR OFF FILM CLEAR	13,74	16,76
	960047	19 03 016 0	4512048774189	CWR-F2R TEAR OFF FILM CLEAR	14,75	18,00
	960024	ORDINE MILANO		TEAR OFF FILM 4 CLEAR	22,11	26,97
	910890	19 03 007 0	4512048306472	CWF-1 Tear Off Button Set	2,81	3,43
INTERFONO    	930004	21 01 004 0	8809917360458	SRL3 INTERFONO SENA SINGOLO (NEOTEC3 - GT-AIR3 - J-CRUISE3)	302,46	369,00
	930001	21 01 001 0	8809629520256	SRL2 INTERFONO SENA (GT-AIR II E NEOTEC II 2^SERIE - J-CRUISE II) (SINGOLO)	245,08	299,00
	930002	21 01 002 0	8809629528351	SRL MESH INTERFONO SENA (GT-AIR II - NEOTEC II 2^SERIE - J-CRUISE II) (SINGOLO)	302,46	369,00
	930003	21 01 003 0	8809629528368	SRL EXT (INTERFONO UNIVERSALE OTTIMIZZATO PER NXR2) (SINGOLO)	236,89	289,00
	960045	19 03 014 0	4512048785123	SHOEI UNIVERSAL COM HOLDER	16,39	19,99
950503	18 00 726 0	4512048852986	SRL ADAPTOR (PER SRL2)	20,41	24,90	

ACCESSORI

	CODICE	Codice SD	Codice JAN	DESCRIZIONE	€ IVA esclusa	€ IVA INCLUSA
GOGGLE MASK 	850001	ORDINE MILANO		MASCHERA GOGGLE MX MONSTERS	97,54	119,00
	850002	ORDINE MILANO		MASCHERA GOGGLE MX RED BETTER	97,54	119,00
	850003	ORDINE MILANO		MASCHERA GOGGLE MX BLACK BLACK	97,54	119,00
	850004	ORDINE MILANO		MASCHERA GOGGLE MX BLACK GREY	97,54	119,00
ALTRI ACCESSORI	980084	19 03 003 0		SWEAT PAD	5,95	7,26
	980110	19 04 005 0	4512048509170	X-SPIRIT III HELMET BAG	19,57	23,88
	980000	19 04 002 0	4512048122546	HELMET BAG	9,82	11,98
	980112	19 03 012 0	ORDINE MILANO	REPAIR BASE RING	42,87	52,30
	980111	19 04 008 0	4512048768812	SHOEI RS HELMET BAG 2	80,20	97,84
	980113	ORDINE MILANO		SOTTOCASCO IGIENICO MONOUSO IN BUSTA PERSONALIZZATA (CONFEZIONE DA 100PZ)"	56,55	69,00
	980114	ORDINE MILANO		MASCHERINA PI LAVABILE	4,09	4,99
	980115	ORDINE MILANO	746092962672	RUN LIMIT FIT KIT (CONF. 6 PZ.)	240,98	294,00
980080			MAINTENANCE KIT	13,71	16,72	
SERVIZI	990000	18 00 563 0	4512048546151	SOSTITUZIONE CINTURINO DA MICRO A DOPPIO ANELLO (NEOTEC I, II e 3 - GT-AIR I, II e 3, J-CRUISE3)	100,00	122,00

VISIERE

	CODICE	Codice SD	Codice JAN	DESCRIZIONE	€ IVA esclusa	€ IVA INCLUSA
VISIERE	900084	17 36 000 1	4512048533434	CNS-3 PN CLEAR (NEOTEC II)	63,32	77,25
	900085	17 36 001 1	4512048533458	CNS-3 PN MELLOW SMOKE (NEOTEC II)	63,32	77,25
	900086	17 36 003 1	4512048533465	CNS-3 PN DARK SMOKE (NEOTEC II)	63,32	77,25
	900095	17 36 004 1	4512048546076	CNS-3 SPECTRA SILVER	125,79	153,47
	900096	17 36 005 1	4512048546052	CNS-3 SPECTRA BLUE	125,79	153,47
	900097	17 36 010 1	4512048546069	CNS-3 SPECTRA FIRE ORANGE	125,79	153,47
	900037	17 16 000 1	4512048303600	CW-1 WITH PIN CLEAR E6 (XR-1100 - X-SPIRIT II)	56,43	68,84
	900038	17 16 001 1	4512048303617	CW-1 WITH PIN MELLOW SMOKE E6 (XR-1100 - X-SPIRIT II)	56,43	68,84
	900039	17 16 003 1	4512048303716	CW-1 WITH PIN DARK SMOKE (XR-1100 - X-SPIRIT II)	56,43	68,84
	900040	17 16 007 1	4512048303723	CW-1 WITH PIN HIGH DEFINITION (XR-1100 - X-SPIRIT II)	56,43	68,84
	900041	17 16 009 1	4512048303730	CW-1 WITH PIN HALF TINTED (XR-1100 - X-SPIRIT II)	72,07	87,93
	900042	17 16 005 1	4512048303747	CW-1 WITH PIN SPECTRA BLUE (MSMO BASE) (XR-1100 - X-SPIRIT II)	85,96	104,87
	900043	17 16 010 1	4512048303754	CW-1 WITH PIN SPECTRA FIRE ORANGE (LSMO) (XR-1100 - X-SPIRIT II)	85,96	104,87

VISIERE

CODICE	Codice SD	Codice JAN	DESCRIZIONE	€ IVA esclusa	€ IVA INCLUSA
900044	17 16 006 1	4512048303761	CW-1 WITH PIN SPECTRA GOLD (LSMO BASE) (XR-1100 - X-SPIRIT II)	83,46	101,82
900045	17 16 004 1	4512048303778	CW-1 WITH PIN SPECTRA SILVER (SSMO BASE) (XR-1100 - X-SPIRIT II)	83,46	101,82
900046	17 18 000 0	4512048303846	CWF-1 CLEAR (XR-1100 - X-SPIRIT II)	104,18	127,10
900047	17 18 001 0	4512048303853	CWF-1 MELLOW SMOKE (XR-1100 - X-SPIRIT II)	104,18	127,10
900048	17 18 003 0	4512048303860	CWF-1 DARK SMOKE (XR-1100 - X-SPIRIT II)	104,18	127,10
900049	17 30 000 0	4512048493325	CPB-1, CWF-1 PINLOCK SHEET CLEAR (GLAMSTER - XR-1100 - X-SPIRIT II)	38,20	46,60
900052	17 21 000 1	4512048354848	CNS-1 WITH PIN CLEAR (NEOTEC - GT-AIR - GTAIR II)	56,43	68,84
900066	17 21 001 1	4512048414504	CNS-1 WITH PIN MELLOW SMOKE (NEOTEC - GT-AIR - GTAIR II)	56,43	68,84
900065	17 21 003 1	4512048414498	CNS-1 WITH PIN DARK SMOKE (NEOTEC - GT-AIR - GTAIR II)	56,43	68,84
900067	17 21 005 1	4512048414511	CNS-1 WITH PIN SPECTRA BLU (NEOTEC - GT-AIR - GTAIR II)	90,12	109,95
900068	17 21 010 1	4512048414528	CNS-1 WITH PIN SPECTRA FIRE ORANGE (NEOTEC - GT-AIR - GTAIR II)	90,12	109,95
900069	17 21 004 1	4512048414535	CNS-1 WITH PIN SPECTRA SILVER (NEOTEC - GT-AIR - GTAIR II)	90,12	109,95
900050	17 28 000 0	4512048493042	CWR - CW1 - CNS - CNS3 EVO PINLOCK SHEET	38,20	46,60
900054	17 22 000 1	4512048370541	CJ-2 WITH PIN CLEAR (J-CRUISE - J-CRUISE II - J-CRUISE 3)	81,93	99,95
900055	17 32 000 0	4512048493059	CJ-2 PINLOCK SHEET (J-CRUISE - J-CRUISE II - J-CRUISE 3)	42,76	52,17
900075	17 22 003 1	4512048497439	CJ-2 WITH PIN DARK SMOKE (J-CRUISE - J-CRUISE II - J-CRUISE 3)	81,93	99,95
900094	17 22 020 1	4512048501631	CJ-2SP WITH PIN CLEAR FOR V-440 (PER FRONTINO V-440)	81,93	99,95
900056	17 20 003 1	4512048410452	CWR-1 PN DARK SMOKE (NXR - X-SPIRIT III - RYD)	59,90	73,08
900057	17 20 007 1	4512048410469	CWR-1 PN HIGH-DEFINITION ORANGE (NXR - X-SPIRIT III - RYD)	61,10	74,54
900058	17 20 011 1	4512048410476	CWR-1 PN HIGH-DEFINITION YELLOW (NXR - X-SPIRIT III - RYD)	59,90	73,08
900059	17 20 005 1	4512048410490	CWR-1 PN SPECTRA BLUE (NXR - X-SPIRIT III - RYD)	94,64	115,46
900060	17 20 006 1	4512048410506	CWR-1 PN SPECTRA GOLD (NXR - X-SPIRIT III - RYD)	94,64	115,46
900061	17 20 010 1	4512048410513	CWR-1 PN SPECTRA FIRE ORANGE (NXR - X-SPIRIT III - RYD)	94,64	115,46
900062	17 20 004 1	4512048410483	CWR-1 PN SPECTRA SILVER (NXR - X-SPIRIT III - RYD)	94,64	115,65
900063	17 20 000 1	4512048410407	CWR-1 PN CLEAR (NXR - X-SPIRIT III - RYD)	59,90	73,08
900064	17 20 001 1	4512048410421	CWR-1 PN MELLOW SMOKE (NXR - X-SPIRIT III - RYD)	58,16	70,96
900074	17 20 012 1	4512048521004	CWR-1 PN PHOTOCROMIC (NXR - X-SPIRIT III - RYD)	122,13	149,00
900070	17 25 000 1	4512048492366	CNS-2 WITH PIN CLEAR (HORNET ADV)	64,89	79,17

VISIERE

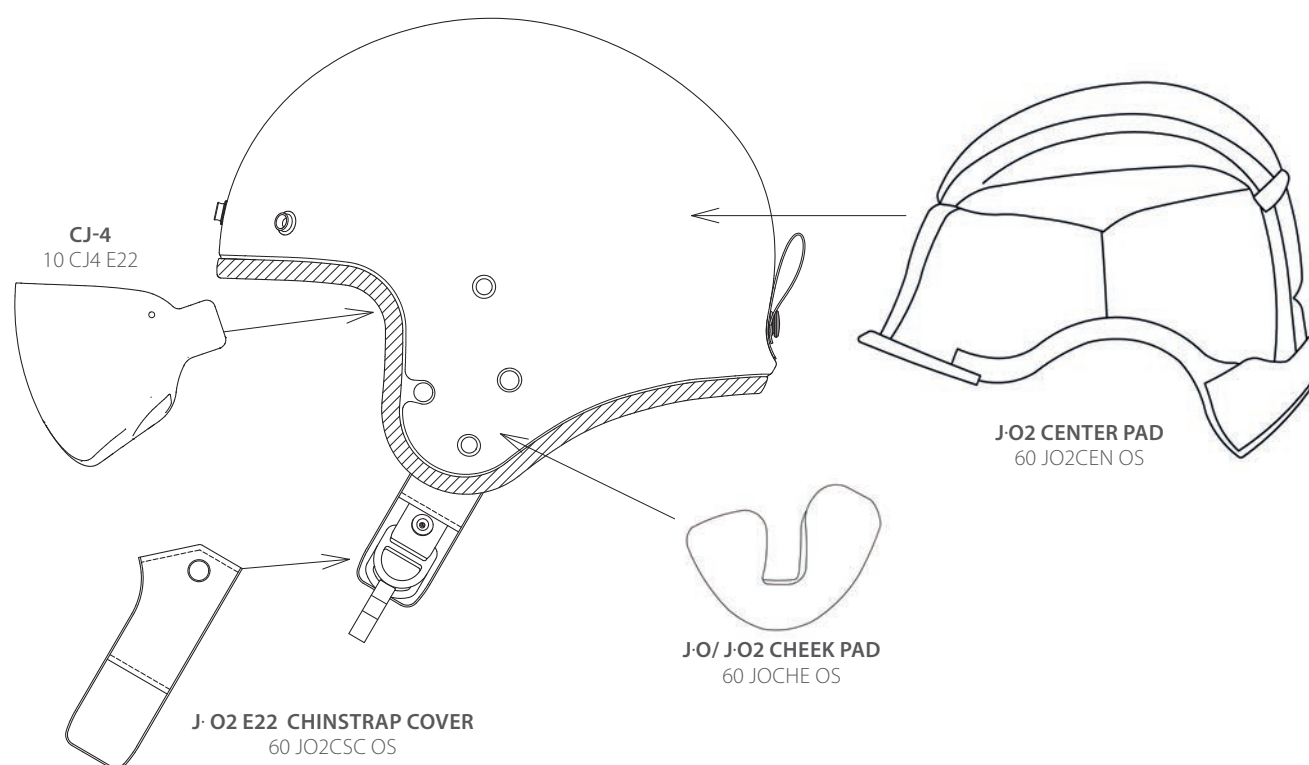
VISIERE

CODICE	Codice SD	Codice JAN	DESCRIZIONE	€ IVA esclusa	€ IVA INCLUSA
900071	17 25 003 1	4512048492342	CNS-2 WITH PIN DARK SMOKE (HORNET ADV)	64,89	79,17
900072	17 25 004 1	4512048492359	CNS-2 WITH PIN SPECTRA SILVER (HORNET ADV)	124,82	152,28
900073	17 29 000 0	4512048493349	CNS-2 EVO PINLOCK SHEET (HORNET ADV)	49,17	60,00
900076	17 26 000 0	4512048492526	CWR-F CLEAR (RACING: NXR - X-SPIRIT III - RYD)	102,47	125,01
900077	17 26 001 0	4512048492533	CWR-F MELLOW SMOKE (RACING: NXR - X-SPIRIT III - RYD)	102,47	125,01
900078	17 26 003 0	4512048492427	CWR-F DARK SMOKE (RACING: NXR - X-SPIRIT III - RYD)	102,47	125,01
900079	17 26 008 0	4512048492434	CWR-F HIGH DEFINITION YELLOW (RACING: NXR - X-SPIRIT III - RYD)	102,47	125,01
900080	17 34 000 0	4512048497446	CWR-F PINLOCK SHEET CLEAR (RACING: NXR - X-SPIRIT III - RYD)	38,20	46,60
900133	17 43 000 0	4512048871413	CJ-4 CLEAR	47,54	58,00
900129	17 43 003 0	4512048871437	CJ-4 DARK SMOKE	47,54	58,00
900130	17 43 011 0	4512048871444	CJ-4 HIGH DEFINITION YELLOW	47,54	58,00
900132	17 43 004 0	4512048871468	CJ-4 SPECTRA SILVER	99,18	121,00
900131	17 43 006 0	4512048871451	CJ-4 SPECTRA GOLD	99,18	121,00
900128	17 43 012 0	4512048871420	CJ-4 PHOTOCROMIC	162,30	198,00
900081	17 35 000 0	4512048507909	CJ-3 CLEAR (J.O - EX-ZERO)	41,33	50,42
900083	17 35 011 0	4512048507923	CJ-3 HIGH VISIBILITY YELLOW (J.O - EX-ZERO)	41,33	50,42
900082	17 35 003 0	4512048507916	CJ-3 DARK SMOKE (J.O - EX-ZERO)	41,33	50,42
900087	17 35 006 0	4512048536282	CJ-3 SPECTRA GOLD (J.O - EX-ZERO)	75,14	91,67
900088	17 35 004 0	4512048538026	CJ-3 SPECTRA SILVER (J.O - EX-ZERO)	75,14	91,67
900090	17 35 012 0	4512048767396	CJ-3 PHOTOCROMIC (J.O - EX-ZERO)	151,12	184,37
900098	17 38 000 1	4512048557744	CPB-1V CLEAR (GLAMSTER)	65,53	79,95
900099	17 38 003 1	4512048775070	CPB-1V DARK SMOKE (GLAMSTER)	65,53	79,95
900100	17 39 000 1	4512048774042	CWR-F2PN CLEAR (NXR2 - X-SPR PRO)	61,48	75,00
900126	17 39 002 1	4512048798390	CWR-F2PN LIGHT SMOKE (NXR2 - X-SPR PRO)	61,48	75,00
900126	17 39 002 1	4512048798390	CWR-F2PN LIGHT SMOKE (NXR2 - X-SPR PRO)	61,48	75,00
900102	17 39 003 1	4512048774073	CWR-F2PN DARK SMOKE (NXR2 - X-SPR PRO)	61,48	75,00
900103	17 39 004 1	4512048774080	CWR-F2PN SPECTRA SILVER (NXR2 - X-SPR PRO)	90,12	109,95
900104	17 39 005 1	4512048774097	CWR-F2PN SPECTRA BLUE (NXR2 - X-SPR PRO)	90,12	109,95
900105	17 39 006 1	4512048774103	CWR-F2PN SPECTRA GOLD (NXR2 - X-SPR PRO)	90,12	109,95
900106	17 39 010 1	4512048774110	CWR-F2PN SPECTRA FIRE ORANGE (NXR2 - X-SPR PRO)	90,12	109,95
900107	17 39 011 1	4512048774127	CWR-F2PN HIGH DEF. YELLOW (NXR2 - X-SPR PRO)	61,48	75,00

VISIERE

CODICE	Codice SD	Codice JAN	DESCRIZIONE	€ IVA esclusa	€ IVA INCLUSA
900108	17 39 012 1	4512048784089	CWR-F2PN PHOTOCROMIC (NXR2 - X-SPR PRO)	163,11	199,00
900109	17 39 100 0	4512048772352	PINLOCK EVO CWR-F2/ CWR-F2 RACING	38,20	46,61
900110	17 40 000 1	4512048774141	CWR-F2 RACING CLEAR (X-SPR PRO - NXR2)	102,48	125,02
900112	17 40 003 1	4512048774165	CWR-F2 RACING DARK SMOKE (X-SPR PRO - NXR2)	102,48	125,02
900113	17 40 011 1	4512048774172	CWR-F2 RACING HIGH DEF. YELLOW (X-SPR PRO - NXR2)	102,48	125,02
900111	17 40 002 1	4512048798390	CWR-F2 RACING LIGHT SMOKE (X-SPR PRO - NXR2)	102,48	125,02
900120	17 41 000 1	4512048810870	CNS-3C WITH PIN CLEAR E6	63,32	77,25
900121	17 41 001 1	4512048810894	CNS-3C WITH PIN MELLOW SMOKE E6	63,32	77,25
900122	17 41 003 1	4512048810917	CNS-3C WITH PIN DARK SMOKE OS	63,32	77,25
900123	17 41 005 1	4512048810924	CNS-3C WITH PIN SPECTRA BLUE (MSMO)	125,79	153,46
900124	17 41 010 1	4512048810931	CNS-3C WITH PIN SPECTRA F.ORANGE (LSMO)	125,79	153,46
900125	17 41 004 1	4512048810948	CNS-3C WITH PIN SPECTRA SILVER (SSMO)	125,79	153,46
900127	17 38 002 1	4512048820206	CPB-1V WITH PIN LIGHT SMOKE (GLAMSTER)	65,53	79,95
900050	17 28 000 0	4512048493042	PINLOCK EVO DKS301 CLEAR	38,20	46,60
911212	18 20 002 0	4512048546236	QSV-2 SUN VISOR	33,00	40,26
911213	18 20 003 0	4512048546243	QSV-2 SUN VISOR HIGH DEFINISION YELLOW	33,00	40,26
900114	17 42 000 1	4512048812164	CNS-1C WITH PIN CLEAR E6	64,75	79,00
900115	17 42 001 1	4512048812188	CNS-1C WITH PIN MELLOW SMOKE E6	64,75	79,00
900116	17 42 003 1	4512048812201	CNS-1C WITH PIN DARK SMOKE OS	64,75	79,00
900117	17 42 005 1	4512048812218	CNS-1C WITH PIN SPECTRA BLUE (LSMO)	125,79	153,46
900118	17 42 010 1	4512048812225	CNS-1C WITH PIN SPECTRA F.ORANGE (LSMO)	125,79	153,46
900119	17 42 004 1	4512048812232	CNS-1C WITH PIN SPECTRA SILVER (SSMO)	125,79	153,46
900050	17 28 000 0	4512048493042	PINLOCK EVO DKS301 CLEAR	38,20	46,60
911212	18 20 002 0	4512048546236	QSV-2 SUN VISOR	33,00	40,26
911213	18 20 003 0	4512048546243	QSV-2 SUN VISOR HIGH DEFINISION YELLOW	33,00	40,26

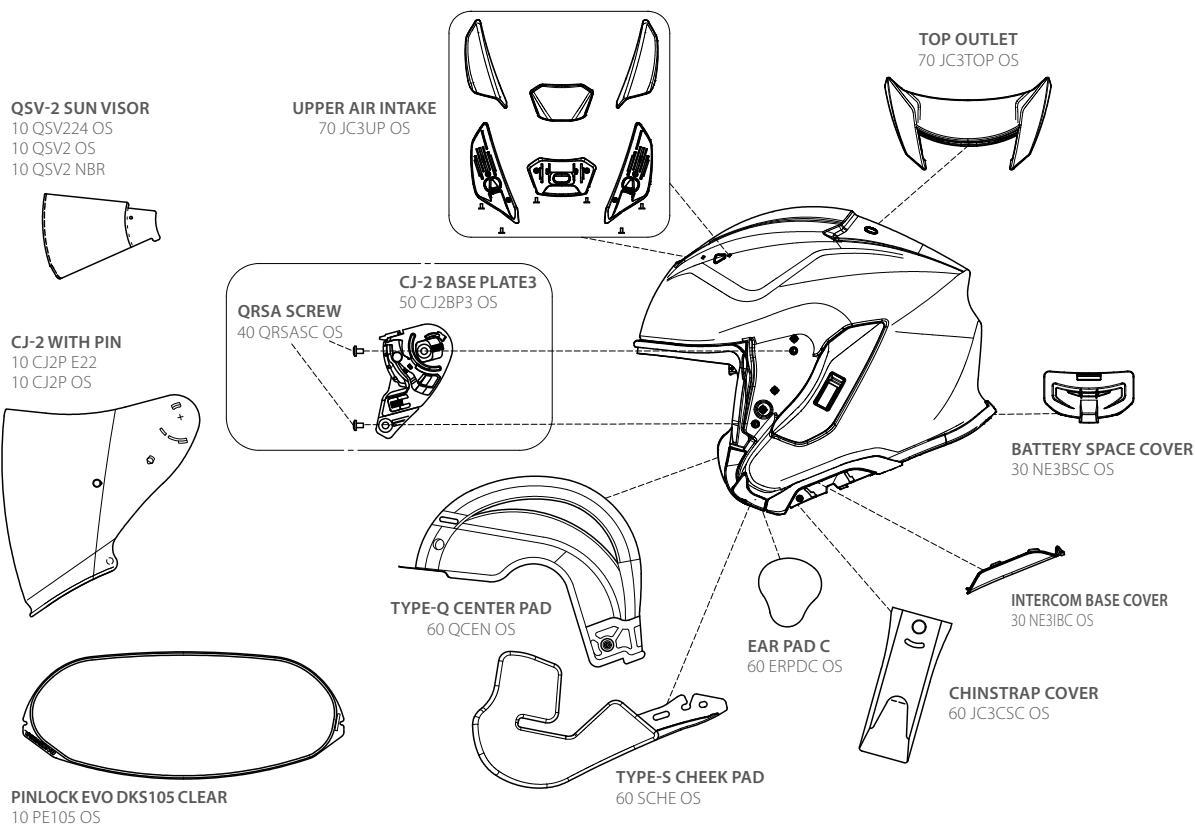
RICAMBI J.O 2



	CODICE	Codice SD	Codice JAN	DESCRIZIONE	€ IVA esclusa	€ IVA INCLUSA
VISIERE	900133	17 43 000 0	4512048871413	CJ-4 CLEAR	47,54	58,00
	900129	17 43 003 0	4512048871437	CJ-4 DARK SMOKE	47,54	58,00
	900130	17 43 011 0	4512048871444	CJ-4 HIGH DEFINITION YELLOW	47,54	58,00
	900132	17 43 004 0	4512048871468	CJ-4 SPECTRA SILVER	99,18	121,00
	900131	17 43 006 0	4512048871451	CJ-4 SPECTRA GOLD	99,18	121,00
	900128	17 43 012 0	4512048871420	CJ-4 PHOTOCROMIC	162,30	198,00
ACCESSORI	911211	18 04 262 0	4512048540845	V-480 PEAK VISOR FOR JO2 / EX-ZERO	31,15	38,00
	910435	18 04 006 0	4512048225711	GT VISOR BLACK	19,03	23,22
IMBOTTITURE	950514	18 03 616 0	4512048871475	JO2 CENTER PAD S17	36,07	44,00
	950515	18 03 617 0	4512048871482	JO2 CENTER PAD S13	36,07	44,00
	950516	18 03 618 0	4512048871499	JO2 CENTER PAD S9	36,07	44,00
	950517	18 03 619 0	4512048871505	JO2 CENTER PAD S5	36,07	44,00

	CODICE	Codice SD	Codice JAN	DESCRIZIONE	€ IVA esclusa	€ IVA INCLUSA
IMBOTTITURE	950518	18 03 620 0	4512048871512	JO2 CENTER PAD M13	36,07	44,00
	950519	18 03 621 0	4512048871529	JO2 CENTER PAD M9	36,07	44,00
	950520	18 03 622 0	4512048871536	JO2 CENTER PAD M5	36,07	44,00
	950521	18 03 623 0	4512048871543	JO2 CENTER PAD L13	36,07	44,00
	950522	18 03 624 0	4512048871550	JO2 CENTER PAD L9	36,07	44,00
	950523	18 03 625 0	4512048871567	JO2 CENTER PAD L5	36,07	44,00
	950524	18 03 626 0	4512048871574	JO2 CENTER PAD XL13	36,07	44,00
	950525	18 03 627 0	4512048871581	JO2 CENTER PAD XL9	36,07	44,00
	950526	18 03 628 0	4512048871598	JO2 CENTER PAD XL5	36,07	44,00
	950249	18 03 416 0	4512048508661	JO / JO2 CHEEKPAD 31	24,56	29,96
	950250	18 03 415 0	4512048508654	JO / JO2 CHEEKPAD 35	24,56	29,96
	950251	18 03 414 0	4512048508647	JO / JO2 CHEEKPAD 39	24,56	29,96
	950252	18 03 413 0	4512048508630	JO / JO2 CHEEKPAD 43	24,56	29,96
	950527	18 03 629 0	4512048871642	JO2 CHINSTRAP COVER	16,39	19,99

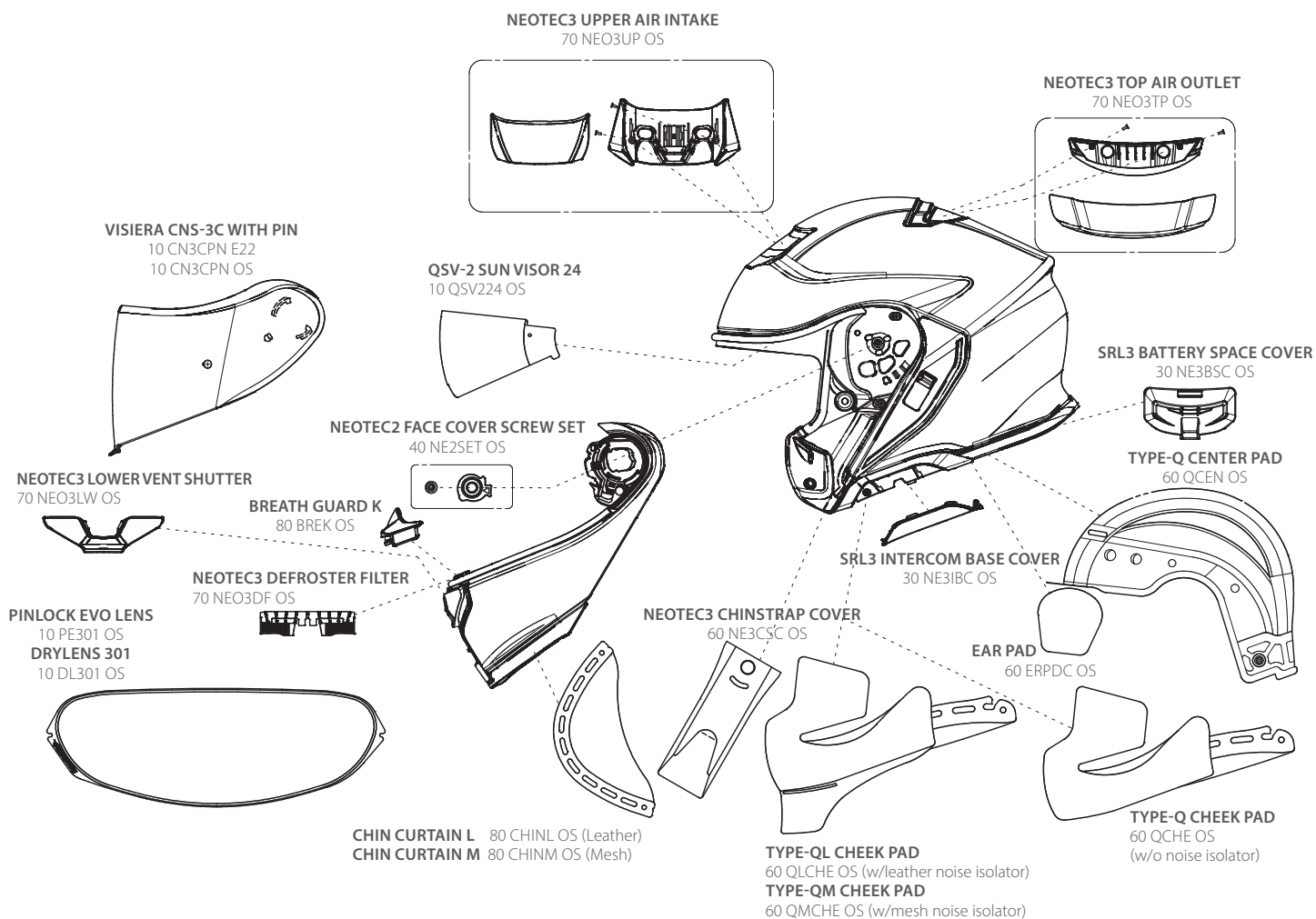
RICAMBI J-CRUISE III



	CODICE	Codice SD	Codice JAN	DESCRIZIONE	€ IVA esclusa	€ IVA INCLUSA
VISIERE	900054	17 22 000 1	4512048370541	CJ-2 WITH PIN CLEAR E6	81,93	99,95
	900075	17 22 003 1	4512048497439	CJ-2 WITH PIN DARK SMOKE	81,93	99,95
	900094	17 22 020 1	4512048501631	CJ-2SP WITH PIN FOR V-440 CLEAR E6 (SOLO PER FRONTINO V-440)	81,93	99,95
	900055	17 32 000 0	4512048493059	CJ-2 PINLOCK SHEET	42,76	52,17
	911212	18 20 002 0	4512048546236	QSV-2 SUN VISOR DARK	33,00	40,26
	911213	18 20 003 0	4512048546243	QSV-2 SUN VISOR HIGH DEFINITION YELLOW	33,00	40,26
BASI MECCANISMO	911511	18 02 268 0	4512048552282	CJ-2 BASE PLATE 2 (J-CRUISE 2,3)	18,57	22,65
	910666	18 02 140 0	4512048302986	QRSA SCREW	10,05	12,26
ACCESSORI	960042	18.04.228.0	4512048501655	FRONTINO V-440 PER VISIERA CJ-2SP (JCR/JCR2/JCR3) NERO	43,05	52,53
	960043	18.04.229.0	4512048501662	FRONTINO V-440 PER VISIERA CJ-2SP (JCR/JCR2/JCR3) BIANCO	43,05	52,53
	950503	18.00.726.0	4512048852986	SRL ADAPTOR (PER SRL2)	20,41	24,90
IMBOTTITURE	950460	18 03 576 0	4512048811570	TYPE-Q CENTER PAD XS5	49,14	59,95
	950461	18 03 577 0	4512048811587	TYPE-Q CENTER PAD XS9 (STD XS)	49,14	59,95
	950462	18 03 578 0	4512048811594	TYPE-Q CENTER PAD XS13	49,14	59,95
	950463	18 03 579 0	4512048811600	TYPE-Q CENTER PAD S5	49,14	59,95
	950464	18 03 580 0	4512048811617	TYPE-Q CENTER PAD S9 (STD S)	49,14	59,95

	CODICE	Codice SD	Codice JAN	DESCRIZIONE	€ IVA esclusa	€ IVA INCLUSA
IMBOTTITURE	950465	18 03 581 0	4512048811624	TYPE-Q CENTER PAD S13	49,14	59,95
	950466	18 03 582 0	4512048811631	TYPE-Q CENTER PAD M5	49,14	59,95
	950467	18 03 583 0	4512048811648	TYPE-Q CENTER PAD M9 (STD M)	49,14	59,95
	950468	18 03 584 0	4512048811655	TYPE-Q CENTER PAD M13	49,14	59,95
	950469	18 03 585 0	4512048811662	TYPE-Q CENTER PAD L5	49,14	59,95
	950470	18 03 586 0	4512048811679	TYPE-Q CENTER PAD L9 (STD L)	49,14	59,95
	950471	18 03 587 0	4512048811686	TYPE-Q CENTER PAD L13	49,14	59,95
	950472	18 03 588 0	4512048811693	TYPE-Q CENTER PAD XL5 (STD XXL)	49,14	59,95
	950473	18 03 589 0	4512048811709	TYPE-Q CENTER PAD XL9 (STD XL)	49,14	59,95
	950474	18 03 590 0	4512048811716	TYPE-Q CENTER PAD XL13	49,14	59,95
	950507	18.03.611.0	4512048847128	TYPE-S CHEEK PAD 31	46,43	56,64
	950508	18.03.612.0	4512048847135	TYPE-S CHEEK PAD 35	46,43	56,64
	950509	18.03.613.0	4512048847142	TYPE-S CHEEK PAD 39	46,43	56,64
	950510	18.03.614.0	4512048847159	JCR3 CHINSTRAP COVER	12,60	15,37
	950222	18 03 339 0	4512048409913	EAR PAD C	10,05	12,26
RICAMBI	911499	18 09 470 0	4512048847166	J-CRUISE3 TOP OUTLET BLACK	21,31	26,00
	911500	18 09 471 0	4512048847173	J-CRUISE3 TOP OUTLET BAS.GREY	21,31	26,00
	911501	18 09 472 0	4512048847180	J-CRUISE3 TOP OUTLET MT.BLACK	21,31	26,00
	911502	18 09 473 0	4512048847197	J-CRUISE3 TOP OUTLET MT.BLUE.M	21,31	26,00
	911503	18 09 474 0	4512048847203	J-CRUISE3 TOP OUTLET WHITE	21,31	26,00
	911504	18 08 554 0	4512048847210	J-CRUISE3 UPPER AIR INTAKE BLACK	25,32	30,89
	911505	18 08 555 0	4512048847227	J-CRUISE3 UPPER AIR INTAKE BAS.GREY	25,32	30,89
	911506	18 08 556 0	4512048847234	J-CRUISE3 UPPER AIR INTAKE MT.BLACK	25,32	30,89
	911507	18 08 557 0	4512048847241	J-CRUISE3 UPPER AIR INTAKE MT.BLUE.M	25,32	30,89
	911508	18 08 558 0	4512048847258	J-CRUISE3 UPPER AIR INTAKE WHITE	25,32	30,89
	911432	18 00 710 0	4512048811556	SRL3 BATTERY SPACE COVER	9,84	12,00
	911433	18 00 711 0	4512048811563	SRL3 INTERCOM BASE COVER	7,38	9,00
	911490	18.00.688.0	4512048811297	MICRO RATCHET RUBBER COVER 3	4,22	5,15

RICAMBI NEOTEC 3



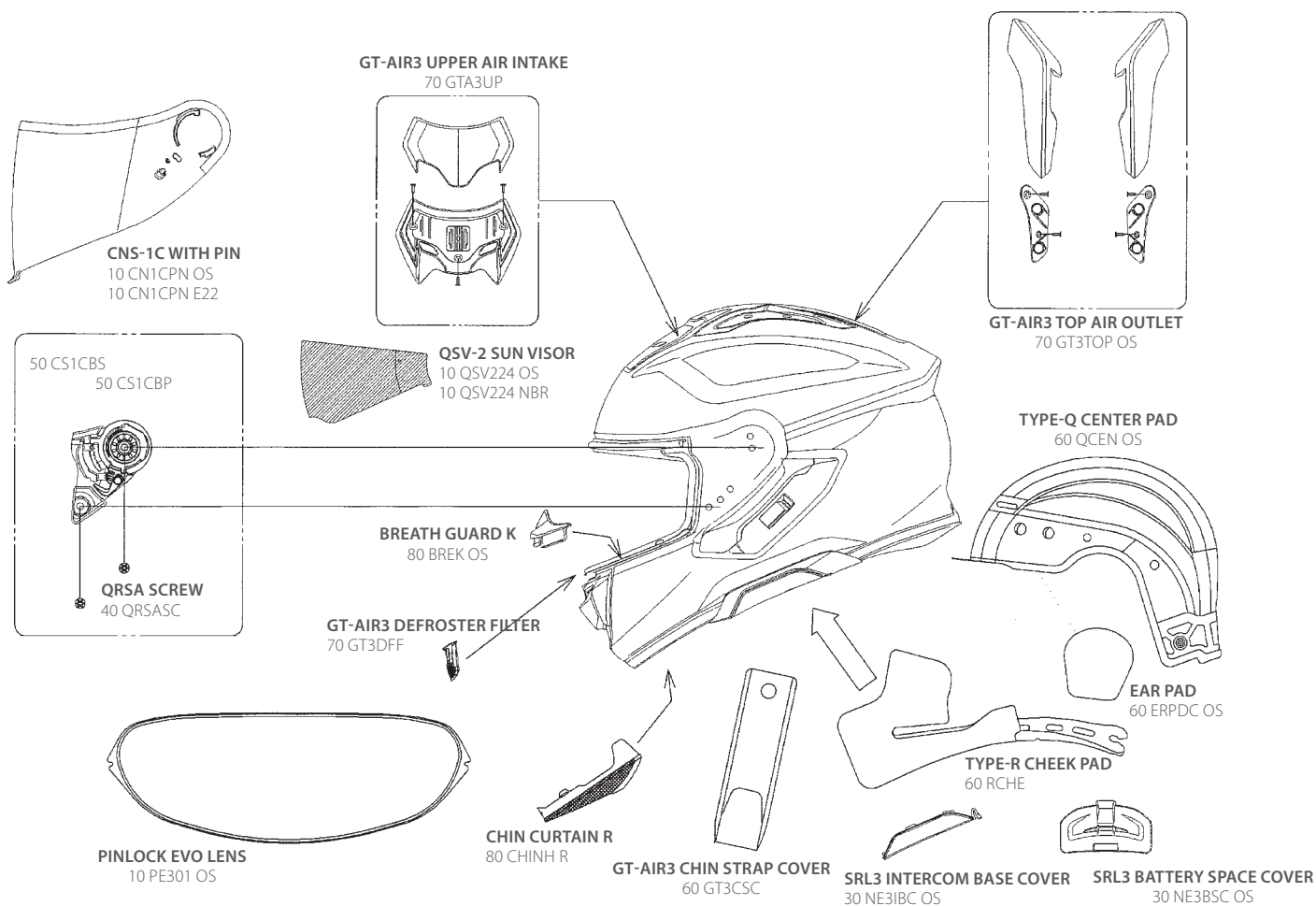
	CODICE	Codice SD	Codice JAN	DESCRIZIONE	€ IVA esclusa	€ IVA INCLUSA
VISIERE	900120	17 41 000 1	4512048810870	CNS-3C WITH PIN CLEAR E6	63,32	77,25
	900121	17 41 001 1	4512048810894	CNS-3C WITH PIN MELLOW SMOKE E6	63,32	77,25
	900122	17 41 003 1	4512048810917	CNS-3C WITH PIN DARK SMOKE OS	63,32	77,25
	900123	17 41 005 1	4512048810924	CNS-3C WITH PIN SPECTRA BLUE (MSMO)	125,79	153,46
	900124	17 41 010 1	4512048810931	CNS-3C WITH PIN SPECTRA F.ORANGE (LSMO)	125,79	153,46
	900125	17 41 004 1	4512048810948	CNS-3C WITH PIN SPECTRA SILVER (SSMO)	125,79	153,46
	900050	17 28 000 0	4512048493042	PINLOCK EVO DKS301 CLEAR	38,20	46,60
	911212	18 20 002 0	4512048546236	QSV-2 SUN VISOR	33,00	40,26
	911213	18 20 003 0	4512048546243	QSV-2 SUN VISOR HIGH DEFINISION YELLOW	33,00	40,26
	ACCESSORI	960053	19 01 019 0	4512048811983	BREATH GUARD K	18,02
960054		19 02 027 0	4512048811990	CHIN CURTAIN L (ECO PELLE STANDARD)	15,56	18,98
960055		19 02 028 0	4512048812003	CHIN CURTAIN M (MESH)	15,56	18,98
950503		18.00.726.0	4512048852986	SRL ADAPTOR (PER SRL2)	20,41	24,90

	CODICE	Codice SD	Codice JAN	DESCRIZIONE	€ IVA esclusa	€ IVA INCLUSA
IMBOTTITURE	950460	18 03 576 0	4512048811570	TYPE-Q CENTER PAD XS5	49,14	59,95
	950461	18 03 577 0	4512048811587	TYPE-Q CENTER PAD XS9 (STD XS)	49,14	59,95
	950462	18 03 578 0	4512048811594	TYPE-Q CENTER PAD XS13	49,14	59,95
	950463	18 03 579 0	4512048811600	TYPE-Q CENTER PAD S5	49,14	59,95
	950464	18 03 580 0	4512048811617	TYPE-Q CENTER PAD S9 (STD S)	49,14	59,95
	950465	18 03 581 0	4512048811624	TYPE-Q CENTER PAD S13	49,14	59,95
	950466	18 03 582 0	4512048811631	TYPE-Q CENTER PAD M5	49,14	59,95
	950467	18 03 583 0	4512048811648	TYPE-Q CENTER PAD M9 (STD M)	49,14	59,95
	950468	18 03 584 0	4512048811655	TYPE-Q CENTER PAD M13	49,14	59,95
	950469	18 03 585 0	4512048811662	TYPE-Q CENTER PAD L5	49,14	59,95
	950470	18 03 586 0	4512048811679	TYPE-Q CENTER PAD L9 (STD L)	49,14	59,95
	950471	18 03 587 0	4512048811686	TYPE-Q CENTER PAD L13	49,14	59,95
	950472	18 03 588 0	4512048811693	TYPE-Q CENTER PAD XL5 (STD XXL)	49,14	59,95
	950473	18 03 589 0	4512048811709	TYPE-Q CENTER PAD XL9 (STD XL)	49,14	59,95
	950474	18 03 590 0	4512048811716	TYPE-Q CENTER PAD XL13	49,14	59,95
	950475	18 03 591 0	4512048811723	TYPE-Q CHEEK PAD 31 (SENZA NOISE ISOLATOR)	50,78	61,95
	950476	18 03 592 0	4512048811730	TYPE-Q CHEEK PAD 35 (SENZA NOISE ISOLATOR)	50,78	61,95
	950477	18 03 593 0	4512048811747	TYPE-Q CHEEK PAD 39 (SENZA NOISE ISOLATOR)	50,78	61,95
	950478	18 03 594 0	4512048811754	TYPE-QL CHEEK PAD 31 (NOISE ISOLATOR PELLE)	53,27	64,99
	950479	18 03 595 0	4512048811761	TYPE-QL CHEEK PAD 35 (NOISE ISOLATOR PELLE)	53,27	64,99
	950480	18 03 596 0	4512048811778	TYPE-QL CHEEK PAD 39 (NOISE ISOLATOR PELLE)	53,27	64,99
	950481	18 03 597 0	4512048811785	TYPE-QM CHEEK PAD 31 (NOISE ISOLATOR MESH)	53,27	64,99
	950482	18 03 598 0	4512048811792	TYPE-QM CHEEK PAD 35 (NOISE ISOLATOR MESH)	53,27	64,99
	950483	18 03 599 0	4512048811808	TYPE-QM CHEEK PAD 39 (NOISE ISOLATOR MESH)	53,27	64,99
	950222	18 03 339 0	4512048409913	EAR PAD C	10,05	12,26
	950484	18 03 600 0	4512048811815	NEOTEC3 CHINSTRAP COVER	10,57	12,90

RICAMBI NEOTEC 3

	CODICE	Codice SD	Codice JAN	DESCRIZIONE	€ IVA esclusa	€ IVA INCLUSA
RICAMBI	911434	18 09 451 0	4512048811839	NEOTEC3 TOP AIR OUTLET M.ANTHRACITE	18,02	21,98
	911435	18 09 452 0	4512048811846	NEOTEC3 TOP AIR OUTLET BLACK	18,02	21,98
	911436	18 09 453 0	4512048811853	NEOTEC3 TOP AIR OUTLET L.SILVER	18,02	21,98
	911437	18 09 454 0	4512048811860	NEOTEC3 TOP AIR OUTLET MT.BLUE.M	18,02	21,98
	911438	18 09 455 0	4512048811877	NEOTEC3 TOP AIR OUTLET MT.BLACK	18,02	21,98
	911439	18 09 456 0	4512048811884	NEOTEC3 TOP AIR OUTLET MT.D.GREY	18,02	21,98
	911440	18 09 457 0	4512048811891	NEOTEC3 TOP AIR OUTLET WHITE	18,02	21,98
	911441	18 08 533 0	4512048811907	NEOTEC3 UPPER AIR INTAKE M.ANTHRACITE	28,69	35,00
	911442	18 08 534 0	4512048811914	NEOTEC3 UPPER AIR INTAKE BLACK	28,69	35,00
	911443	18 08 535 0	4512048811921	NEOTEC3 UPPER AIR INTAKE L.SILVER	28,69	35,00
	911444	18 08 536 0	4512048811938	NEOTEC3 UPPER AIR INTAKE MT.BLUE.M	28,69	35,00
	911445	18 08 537 0	4512048811945	NEOTEC3 UPPER AIR INTAKE MT.BLACK	28,69	35,00
	911446	18 08 538 0	4512048811952	NEOTEC3 UPPER AIR INTAKE MT.D.GREY	28,69	35,00
	911447	18 08 539 0	4512048811969	NEOTEC3 UPPER AIR INTAKE WHITE	28,69	35,00
	911448	18 07 290 0	4512048812065	NEOTEC3 LOWER VENT SHUTTER M.ANTHRACITE	14,71	17,95
	911449	18 07 291 0	4512048812072	NEOTEC3 LOWER VENT SHUTTER BLACK	14,71	17,95
	911450	18 07 292 0	4512048812089	NEOTEC3 LOWER VENT SHUTTER L.SILVER	14,71	17,95
	911451	18 07 293 0	4512048812096	NEOTEC3 LOWER VENT SHUTTER MT.BLUE.M	14,71	17,95
	911452	18 07 294 0	4512048812102	NEOTEC3 LOWER VENT SHUTTER MT.BLACK	14,71	17,95
	911453	18 07 295 0	4512048812119	NEOTEC3 LOWER VENT SHUTTER MT.D.GREY	14,71	17,95
	911454	18 07 296 0	4512048812126	NEOTEC3 LOWER VENT SHUTTER WHITE	14,71	17,95
	911455	18 07 297 0	4512048811976	NEOTEC3 DEFROSTER FILTER	8,74	10,66
	911432	18 00 710 0	4512048811556	SRL3 BATTERY SPACE COVER	9,84	12,00
	911433	18 00 711 0	4512048811563	SRL3 INTERCOM BASE COVER	7,38	9,00
	911490	18.00.688.0	4512048811297	MICRO RATCHET RUBBER COVER 3	4,22	5,15

RICAMBI GT-AIR 3



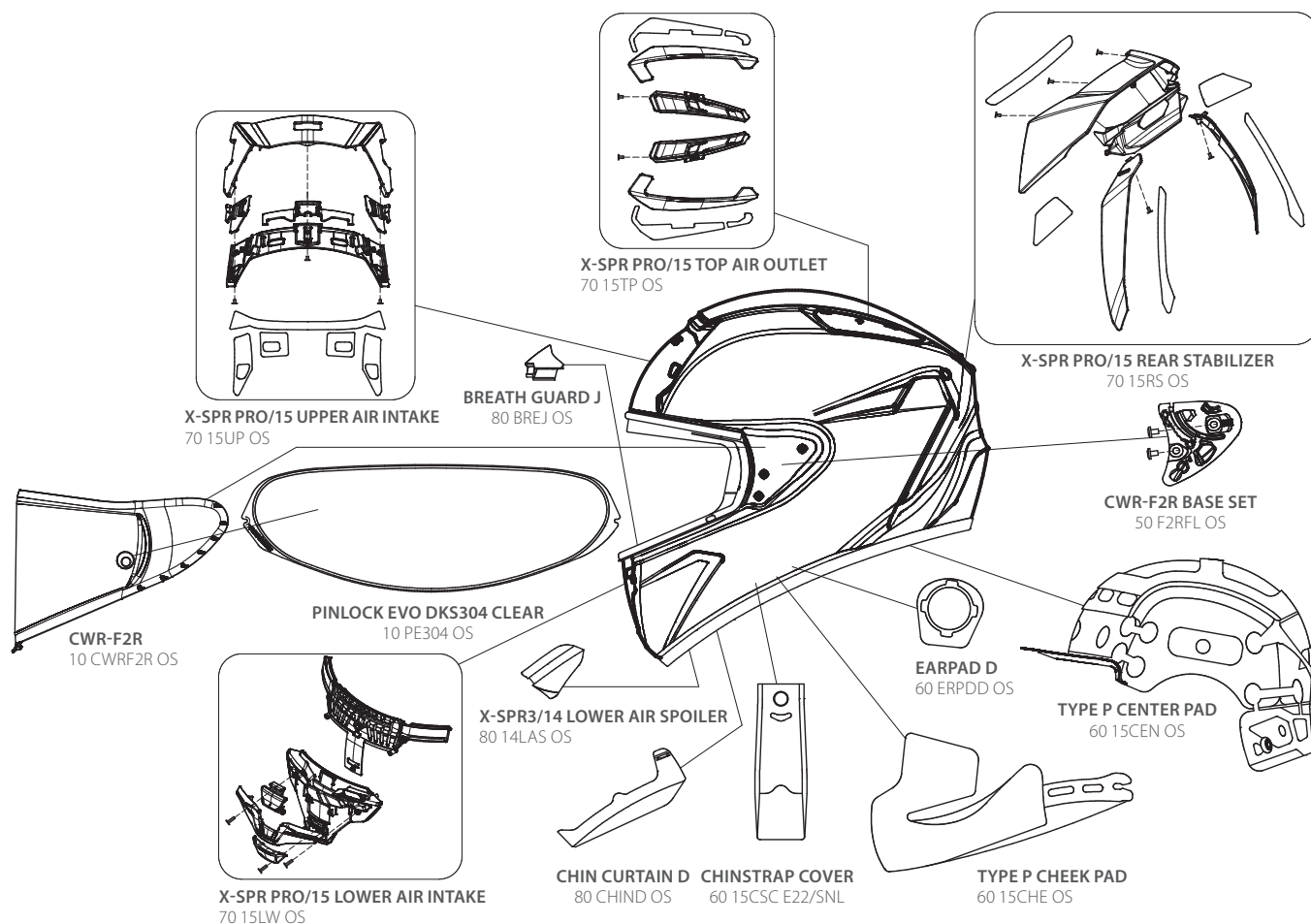
	CODICE	Codice SD	Codice JAN	DESCRIZIONE	€ IVA esclusa	€ IVA INCLUSA
VISIERE	900114	17 42 000 1	4512048812164	CNS-1C WITH PIN CLEAR E6	64,75	79,00
	900115	17 42 001 1	4512048812188	CNS-1C WITH PIN MELLOW SMOKE E6	64,75	79,00
	900116	17 42 003 1	4512048812201	CNS-1C WITH PIN DARK SMOKE OS	64,75	79,00
	900117	17 42 005 1	4512048812218	CNS-1C WITH PIN SPECTRA BLUE (LSMO)	125,79	153,46
	900118	17 42 010 1	4512048812225	CNS-1C WITH PIN SPECTRA F.ORANGE (LSMO)	125,79	153,46
	900119	17 42 004 1	4512048812232	CNS-1C WITH PIN SPECTRA SILVER (SSMO)	125,79	153,46
	900050	17 28 000 0	4512048493042	PINLOCK EVO DKS301 CLEAR	38,20	46,60
	911212	18 20 002 0	4512048546236	QSV-2 SUN VISOR	33,00	40,26
	911213	18 20 003 0	4512048546243	QSV-2 SUN VISOR HIGH DEFINISION YELLOW	33,00	40,26
BASI MECCANISMO	910666	18 02 140 0	4512048302986	QRS A SCREW	10,05	12,26
	911471	18 02 260 0	4512048830960	CNS-1C BASE PLATE	19,59	23,90
	911472	18 02 261 0	4512048830977	CNS-1C BASE SET	24,51	29,90

RICAMBI GT-AIR 3

	CODICE	Codice SD	Codice JAN	DESCRIZIONE	€ IVA esclusa	€ IVA INCLUSA	
ACCESSORI	960053	19 01 019 0	4512048811983	BREATH GUARD K	18,02	21,98	
	960056	19 02 029 0	4512048831172	TYPE-R CHIN CURTAIN	18,87	23,02	
	950503	18.00.726.0	4512048852986	SRL ADAPTOR (PER SRL2)	20,41	24,90	
IMBOTTITURE	950222	18 03 339 0	4512048409913	EAR PAD C	10,05	12,26	
	950463	18 03 579 0	4512048811600	TYPE-Q CENTER PAD S5	49,14	59,95	
	950464	18 03 580 0	4512048811617	TYPE-Q CENTER PAD S9	49,14	59,95	
	950465	18 03 581 0	4512048811624	TYPE-Q CENTER PAD S13	49,14	59,95	
	950466	18 03 582 0	4512048811631	TYPE-Q CENTER PAD M5	49,14	59,95	
	950467	18 03 583 0	4512048811648	TYPE-Q CENTER PAD M9	49,14	59,95	
	950468	18 03 584 0	4512048811655	TYPE-Q CENTER PAD M13	49,14	59,95	
	950469	18 03 585 0	4512048811662	TYPE-Q CENTER PAD L5	49,14	59,95	
	950470	18 03 586 0	4512048811679	TYPE-Q CENTER PAD L9	49,14	59,95	
	950471	18 03 587 0	4512048811686	TYPE-Q CENTER PAD L13	49,14	59,95	
	950472	18 03 588 0	4512048811693	TYPE-Q CENTER PAD XL5	49,14	59,95	
	950473	18 03 589 0	4512048811709	TYPE-Q CENTER PAD XL9	49,14	59,95	
	950474	18 03 590 0	4512048811716	TYPE-Q CENTER PAD XL13	49,14	59,95	
	950485	18 03 607 0	4512048830984	TYPE-R CHEEK PAD 31	50,78	61,95	
	950486	18 03 608 0	4512048830991	TYPE-R CHEEK PAD 35	50,78	61,95	
	950487	18 03 609 0	4512048831004	TYPE-R CHEEK PAD 39	50,78	61,95	
	950488	18 03 610 0	4512048831011	GT-AIR3 CHINSTRAP COVER	10,57	12,90	
	RICAMBI	911456	18 09 459 0	4512048831028	GT-AIR3 TOP AIR OUTLET BLACK	24,16	29,48
		911457	18 09 460 0	4512048831035	GT-AIR3 TOP AIR OUTLET BR.YELLOW	24,16	29,48
		911458	18 09 461 0	4512048831042	GT-AIR3 TOP AIR OUTLET MT.BLACK	24,16	29,48
911459		18 09 462 0	4512048831059	GT-AIR3 TOP AIR OUTLET MT.BLUE.M	24,16	29,48	
911460		18 09 463 0	4512048831066	GT-AIR3 TOP AIR OUTLET MT.D.GREY	24,16	29,48	
911461		18 09 464 0	4512048831073	GT-AIR3 TOP AIR OUTLET WHITE	24,16	29,48	
911462		18 08 541 0	4512048831080	GT-AIR3 UPPER AIR INTAKE BLACK	18,68	22,79	
911463		18 08 542 0	4512048831097	GT-AIR3 UPPER AIR INTAKE BLUE.M	18,68	22,79	

	CODICE	Codice SD	Codice JAN	DESCRIZIONE	€ IVA esclusa	€ IVA INCLUSA
RICAMBI	911464	18 08 543 0	4512048831103	GT-AIR3 UPPER AIR INTAKE BR.YELLOW	18,68	22,79
	911465	18 08 544 0	4512048831110	GT-AIR3 UPPER AIR INTAKE MT.BLACK	18,68	22,79
	911466	18 08 545 0	4512048831127	GT-AIR3 UPPER AIR INTAKE MT.BLUE.M	18,68	22,79
	911467	18 08 546 0	4512048831134	GT-AIR3 UPPER AIR INTAKE MT.D.GREY	18,68	22,79
	911468	18 08 547 0	4512048831141	GT-AIR3 UPPER AIR INTAKE S.RED	18,68	22,79
	911469	18 08 548 0	4512048831158	GT-AIR3 UPPER AIR INTAKE WHITE	18,68	22,79
	911470	18 07 309 0	4512048831165	GT-AIR3 DEFROSTER FILTER	8,74	10,66
	911490	18 00 688 0	4512048811297	MICRO RATCHET RUBBER COVER3	4,22	5,15

RICAMBI X-SPR PRO



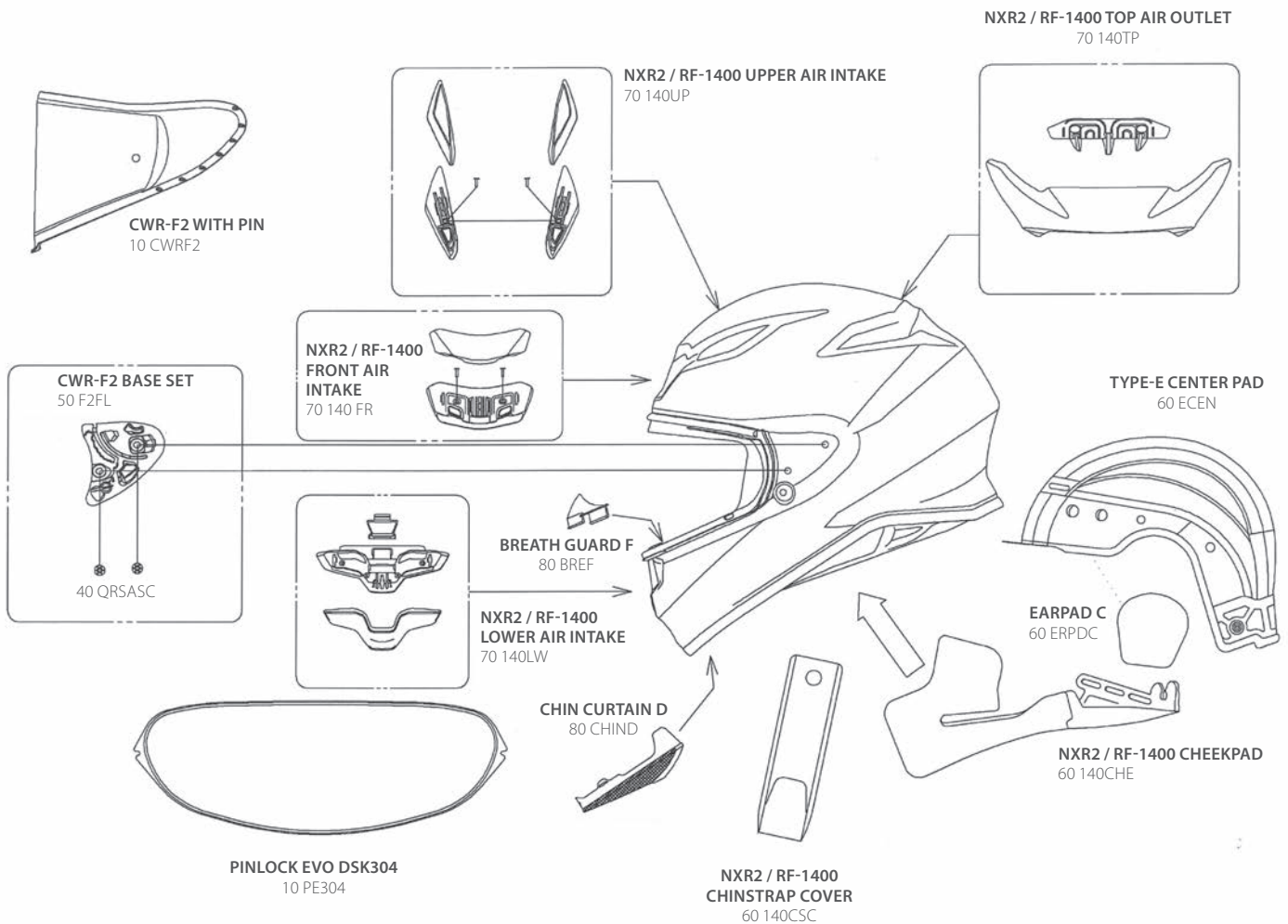
	CODICE	Codice SD	Codice JAN	DESCRIZIONE	€ IVA esclusa	€ IVA INCLUSA
VISIERE	900110	17 40 000 1	4512048774141	CWR-F2 RACING CLEAR (X-SPR PRO - NXR2)	102,48	125,02
	900111	17 40 002 1	4512048798390	CWR-F2 RACING LIGHT SMOKE (X-SPR PRO - NXR2)	102,48	125,02
	900112	17 40 003 1	4512048774165	CWR-F2 RACING DARK SMOKE (X-SPR PRO - NXR2)	102,48	125,02
	900113	17 40 011 1	4512048774172	CWR-F2 RACING HIGH DEF. YELLOW (X-SPR PRO - NXR2)	102,48	125,02
	900100	17 39 000 1	4512048774042	CWR-F2PN CLEAR (NXR2 - X-SPR PRO)	61,48	75,00
	900126	17 39 002 1	4512048798390	CWR-F2PN LIGHT SMOKE (NXR2 - X-SPR PRO)	61,48	75,00
	900102	17 39 003 1	4512048774073	CWR-F2PN DARK SMOKE (NXR2 - X-SPR PRO)	61,48	75,00
	900103	17 39 004 1	4512048774080	CWR-F2PN SPECTRA SILVER (NXR2 - X-SPR PRO)	90,12	109,95
	900104	17 39 005 1	4512048774097	CWR-F2PN SPECTRA BLUE (NXR2 - X-SPR PRO)	90,12	109,95
	900105	17 39 006 1	4512048774103	CWR-F2PN SPECTRA GOLD (NXR2 - X-SPR PRO)	90,12	109,95
	900106	17 39 010 1	4512048774110	CWR-F2PN SPECTRA FIRE ORANGE (NXR2 - X-SPR PRO)	90,12	109,95
	900107	17 39 011 1	4512048774127	CWR-F2PN HIGH DEF. YELLOW (NXR2 - X-SPR PRO)	61,48	75,00
	900108	17 39 012 1	4512048784089	CWR-F2PN PHOTOCROMIC (NXR2 - X-SPR PRO)	163,11	199,00

	CODICE	Codice SD	Codice JAN	DESCRIZIONE	€ IVA esclusa	€ IVA INCLUSA	
VISIERE	900109	17 39 100 0	4512048772352	PINLOCK EVO CWR-F2/ CWR-F2 RACING	38,20	46,61	
	900126	17 39 002 1	4512048798390	CWR-F2PN LIGHT SMOKE (NXR2 - X-SPR PRO)	61,48	75,00	
BASI	911399	****	4512048795160	CWR-F2R BASE PLATE (X-SPR PRO)	22,13	27,00	
MECCANISMO	911400	18 02 232 0	4512048795177	CWR-F2R BASE SET (X-SPR PRO)	26,23	32,00	
ACCESSORI	960049	19 03 020 0	886798004679	VALVOLA ON OFF PER BIG BITE X-SPR PRO	8,19	9,99	
	960050	19 03 021 0	713852900113	VALVOLA BIG BITE X-SPR PRO	8,19	9,99	
	960051	19 03 022 0	713852601164	TAPPO VALVOLA BITE X-SPR PRO	8,19	9,99	
	960052	19 03 018 0	4512048806330	HIDRATION TUBE X-SPR PRO	12,95	15,80	
	960030	19 01 015 0	4512048509156	BREATHGUARD J (X-SPR PRO - X-SPIRIT III)	18,87	23,02	
	960019	19 02 016 0	4512048303594	CHIN CURTAIN D	21,70	26,47	
	960031	19 02 021 0	4512048509149	LOWER AIR SPOILER	18,87	23,02	
	960046	19 03 019 0	4512048798321	AIR MASK 6 (X-SPR PRO)	31,15	38,00	
	980110	19 04 005 0	4512048509170	HELMET BAG X	19,57	23,88	
	980111	19 04 008 0	4512048768812	RS HELMET BAG	80,21	91,86	
	960047	19 03 016 0	4512048774189	CWR-F2R TEAR OFF FILM CLEAR (5PCS)	14,75	18,00	
	911401	19 03 017 0	4512048774196	CWR-F2R TEAR OFF BUTTON SET	4,43	5,40	
	960045	19 03 014 0	4512048785123	SHOEI UNIVERSAL COM HOLDER	16,39	19,99	
	IMBOTTITURE	950428	18 03 538 0	4512048795184	TYPE-P CHEEK PAD 43 (X-SPR PRO)	63,93	78,00
		950429	18 03 537 0	4512048795191	TYPE-P CHEEK PAD 39 (X-SPR PRO)	63,93	78,00
		950430	18 03 536 0	4512048795207	TYPE-P CHEEK PAD 35 (X-SPR PRO) (STD XS-XL)	63,93	78,00
950431		18 03 535 0	4512048795214	TYPE-P CHEEK PAD 31 (X-SPR PRO) (STD XXL)	63,93	78,00	
950432		18 03 539 0	4512048795221	TYPE-P CENTER PAD SET XS/S (X-SPR PRO)	67,21	82,00	
950433		18 03 540 0	4512048795238	TYPE-P CENTER PAD SET M (X-SPR PRO)	67,21	82,00	
950434		18 03 541 0	4512048795245	TYPE-P CENTER PAD SET L (X-SPR PRO)	67,21	82,00	
950435		18 03 542 0	4512048795252	TYPE-P CENTER PAD SET XL (X-SPR PRO)	67,21	82,00	
950436		18 03 543 0	4512048795269	TYPE-P CENTER PAD SET XXL (X-SPR PRO)	67,21	82,00	
950437		18.03.544.0	4512048795276	TYPE-P CENTER PAD SIDE F5 (X-SPR PRO)	14,75	18,00	
950438		18.03.545.0	4512048795283	TYPE-P CENTER PAD SIDE F9 (X-SPR PRO)	14,75	18,00	
950439		18.03.546.0	4512048795290	TYPE-P CENTER PAD FRONT F5 (X-SPR PRO)	12,30	15,00	
950440		18.03.547.0	4512048795306	TYPE-P CENTER PAD FRONT F9 (X-SPR PRO)	12,30	15,00	
950441		18.03.548.0	4512048795313	TYPE-P CENTER PAD REAR S5 (X-SPR PRO)	10,66	13,00	
950442	18.03.549.0	4512048795320	TYPE-P CENTER PAD REAR S9 (X-SPR PRO)	10,66	13,00		

RICAMBI X-SPR PRO

	CODICE	Codice SD	Codice JAN	DESCRIZIONE	€ IVA esclusa	€ IVA INCLUSA
IMBOTTITURE	950443	18.03.550.0	4512048795337	TYPE-P CENTER PAD REAR M5 (X-SPR PRO)	10,66	13,00
	950444	18.03.551.0	4512048795344	TYPE-P CENTER PAD REAR M9 (X-SPR PRO)	10,66	13,00
	950445	18.03.552.0	4512048795351	TYPE-P CENTER PAD REAR L5 (X-SPR PRO)	10,66	13,00
	950446	18.03.553.0	4512048795368	TYPE-P CENTER PAD REAR L9 (X-SPR PRO)	10,66	13,00
	950447	18.03.554.0	4512048795375	TYPE-P CENTER PAD REAR XL5 (X-SPR PRO)	10,66	13,00
	950448	18.03.555.0	4512048795382	TYPE-P CENTER PAD REAR XL9 (X-SPR PRO)	10,66	13,00
	950449	18.03.556.0	4512048795399	TYPE-P CENTER PAD NECK S9 (X-SPR PRO)	14,75	18,00
	950450	18.03.557.0	4512048795405	TYPE-P CENTER PAD NECK S13 (X-SPR PRO)	14,75	18,00
	950451	18.03.558.0	4512048795412	TYPE-P CENTER PAD NECK M9 (X-SPR PRO)	14,75	18,00
	950452	18.03.559.0	4512048795429	TYPE-P CENTER PAD NECK M13 (X-SPR PRO)	14,75	18,00
	950453	18.03.560.0	4512048795436	TYPE-P CENTER PAD NECK L9 (X-SPR PRO)	14,75	18,00
	950454	18.03.561.0	4512048795443	TYPE-P CENTER PAD NECK L13 (X-SPR PRO)	14,75	18,00
	950455	18.03.562.0	4512048795450	TYPE-P CENTER PAD NECK XL9 (X-SPR PRO)	14,75	18,00
	950456	18.03.563.0	4512048795467	TYPE-P CENTER PAD NECK XL13 (X-SPR PRO)	14,75	18,00
	950237	18 03 398 0	4512048508326	EARPAD D	8,74	10,66
950457	18.03.564.0	4512048795474	X-SPR PRO CHINSTRAP COVER	13,11	16,00	
RICAMBI	911402	18.07.276.0	4512048795665	X-SPR PRO/15 LOWER AIR INTAKE BLACK	24,55	29,95
	911403	18.07.278.0	4512048795672	X-SPR PRO/15 LOWER AIR INTAKE MT. BLACK	24,55	29,95
	911404	18.07.279.0	4512048795689	X-SPR PRO/15 LOWER AIR INTAKE WHITE	24,55	29,95
	911414	18 07 282 0	4512048801762	X-SPR PRO/15 LOWER AIR INTAKE D.M.BLUE	24,55	29,95
	911495	18 07 285 0	4512048806071	X-SPR PRO/15 LOWER AIR INTAKE MATT D.BLUE M.	24,55	29,95
	911405	18.08.509.0	4512048795726	X-SPR PRO/15 UPPER AIR INTAKE BLACK	19,64	23,97
	911406	18.08.510.0	4512048795733	X-SPR PRO/15 UPPER AIR INTAKE MT.BLACK	19,64	23,97
	911407	18.08.511.0	4512048795740	X-SPR PRO/15 UPPER AIR INTAKE WHITE	19,64	23,97
	911408	18.09.428.0	4512048795757	X-SPR PRO/15 TOP AIR OUTLET BLACK	24,60	30,02
	911409	18.09.429.0	4512048795764	X-SPR PRO/15 TOP AIR OUTLET MT.BLACK	24,60	30,02
	911410	18.09.430.0	4512048795771	X-SPR PRO/15 TOP AIR OUTLET WHITE	24,60	30,02
	911415	18 09 435 0	4512048801786	X-SPR PRO/15 TOP AIR OUTLET TI.SILVER	24,60	30,02
	911411	18.09.425.0	4512048798222	X-SPR PRO/15 REAR STABILIZER BLACK	64,75	79,00
	911412	18.09.426.0	4512048798239	X-SPR PRO/15 REAR STABILIZER MT.BLACK	64,75	79,00
	911413	18.09.427.0	4512048798246	X-SPR PRO/15 REAR STABILIZER WHITE	64,75	79,00

RICAMBI NXR 2



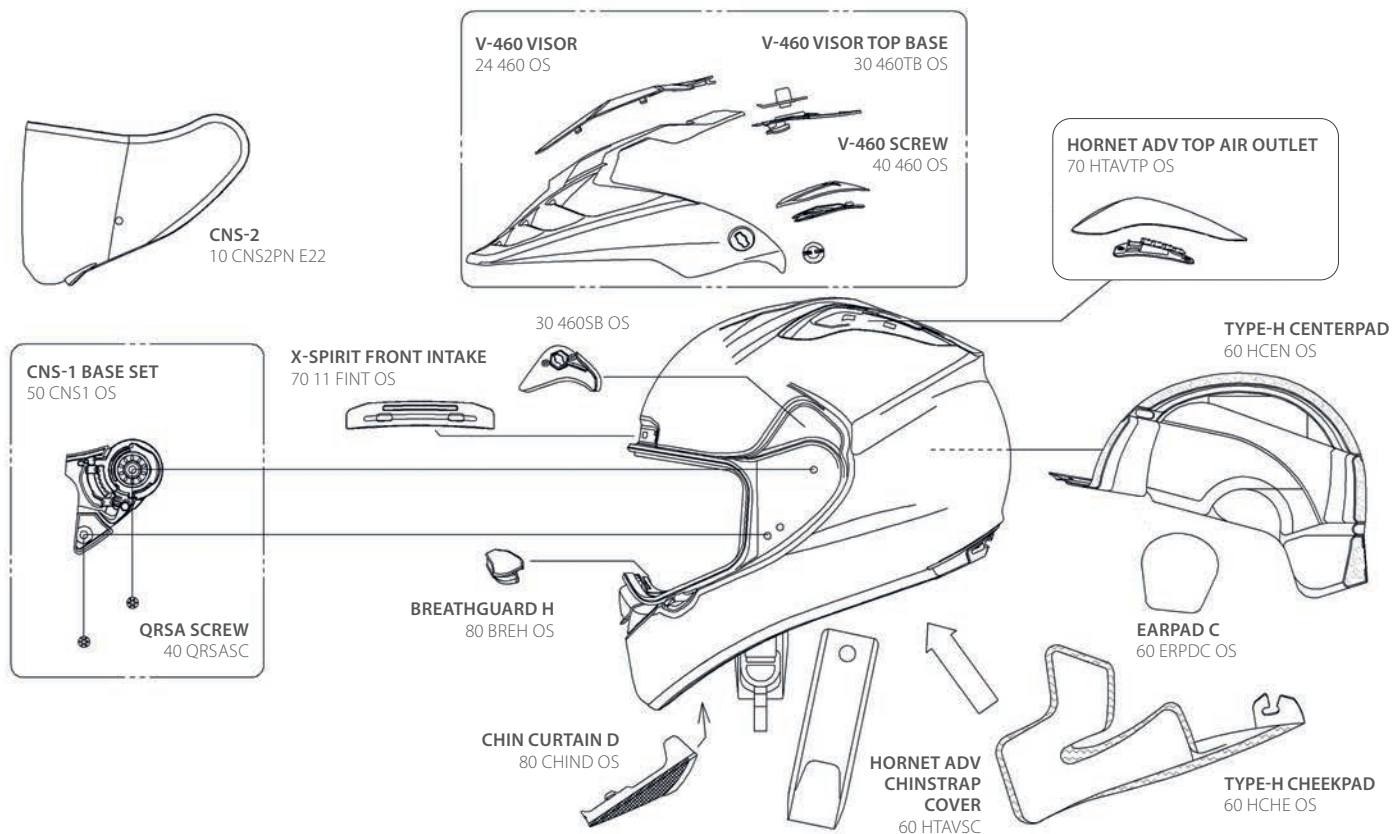
	CODICE	Codice SD	Codice JAN	DESCRIZIONE	€ IVA esclusa	€ IVA INCLUSA
VISIERE	900100	17 39 000 1	4512048774042	CWR-F2PN CLEAR (NXR2)	61,48	75,00
	900126	17 39 002 1	4512048798390	CWR-F2PN LIGHT SMOKE (NXR2 - X-SPR PRO)	61,48	75,00
	900102	17 39 003 1	4512048774073	CWR-F2PN DARK SMOKE (NXR2)	61,48	75,00
	900103	17 39 004 1	4512048774080	CWR-F2PN SPECTRA SILVER (NXR2)	90,12	109,95
	900104	17 39 005 1	4512048774097	CWR-F2PN SPECTRA BLUE (NXR2)	90,12	109,95
	900105	17 39 006 1	4512048774103	CWR-F2PN SPECTRA GOLD (NXR2)	90,12	109,95
	900106	17 39 010 1	4512048774110	CWR-F2PN SPECTRA FIRE ORANGE (NXR2)	90,12	109,95
	900107	17 39 011 1	4512048774127	CWR-F2PN HIGH DEF. YELLOW (NXR2)	61,48	75,00
	900108	17 39 012 1	4512048784089	CWR-F2PN PHOTOCROMIC (NXR2)	163,11	199,00
	900109	17 39 100 0	4512048772352	PINLOCK EVO CWR-F2/ CWR-F2 RACING	38,20	46,61
	900110	17 40 000 1	4512048774141	CWR-F2 RACING CLEAR (NXR2)	102,48	125,02
	900111	17 40 002 1	4512048798390	CWR-F2 RACING LIGHT SMOKE (X-SPR PRO - NXR2)	102,48	125,02
	900126	17 39 002 1	4512048798390	CWR-F2PN LIGHT SMOKE (NXR2 - X-SPR PRO)	61,48	75,00

RICAMBI NXR 2

	CODICE	Codice SD	Codice JAN	DESCRIZIONE	€ IVA esclusa	€ IVA INCLUSA
VISIERE	900112	17 40 003 1	4512048774165	CWR-F2 RACING DARK SMOKE (NXR2)	102,48	125,02
	900113	17 40 011 1	4512048774172	CWR-F2 RACING HIGH DEF. YELLOW (NXR2)	102,48	125,02
BASI	911317	18 02 228 0	4512048774202	CWR-F2 BASE PLATE (NXR2)	18,03	22,00
MECCANISMO	911397	18 02 229 0	4512048774219	CWR-F2 BASE SET (NXR2)	22,95	28,00
ACCESSORI	960018	19 01 010 0	4512048303587	BREATH GUARD F	18,87	23,02
	960019	19 02 016 0	4512048303594	CHIN CURTAIN D	21,70	26,47
IMBOTTITURE	950421	18 03 528 0	4512048774226	CHEEK PAD 31MM (NXR2)	49,14	59,95
	950422	18 03 529 0	4512048774233	CHEEK PAD 35MM (NXR2)	49,14	59,95
	950423	18 03 530 0	4512048774240	CHEEK PAD 39MM (NXR2)	49,14	59,95
	950424	18 03 531 0	4512048774257	CHEEK PAD 43MM (NXR2)	49,14	59,95
	950425	18 03 532 0	4512048774264	CHINSTRAP COVER (NXR2)	9,84	12,00
	950205	18 03 320 0	4512048409746	CENTER PAD S17 (NXR/NXR2)	43,07	52,55
	950206	18 03 321 0	4512048409753	CENTER PAD S13 (NXR/NXR2)	43,07	52,55
	950207	18 03 322 0	4512048409760	CENTER PAD S9 (NXR/NXR2)	43,07	52,55
	950212	18 03 323 0	4512048409777	CENTER PAD S5 (NXR/NXR2)	43,07	52,55
	950213	18 03 324 0	4512048409784	CENTER PAD M13 (NXR/NXR2)	43,07	52,55
	950208	18 03 325 0	4512048409791	CENTER PAD M9 (NXR/NXR2)	43,07	52,55
	950214	18 03 326 0	4512048409807	CENTER PAD M5 (NXR/NXR2)	43,07	52,55
	950215	18 03 327 0	4512048409814	CENTER PAD L13 (NXR/NXR2)	43,07	52,55
	950209	18 03 328 0	4512048409821	CENTER PAD L9 (NXR/NXR2)	43,07	52,55
	950216	18 03 329 0	4512048409838	CENTER PAD L5 (NXR/NXR2)	43,07	52,55
	950217	18 03 330 0	4512048409845	CENTER PAD XL13 (NXR/NXR2)	43,07	52,55
	950210	18 03 331 0	4512048409852	CENTER PAD XL9 (NXR/NXR2)	43,07	52,55
	950211	18 03 332 0	4512048409869	CENTER PAD XL5 (NXR/NXR2)	43,07	52,55
	RICAMBI	911338	18 07 267 0	4512048774356	LOWER AIR INTAKE BLACK (NXR2)	19,63
911339		18 07 268 0	4512048774363	LOWER AIR INTAKE B. GREY (NXR2)	19,63	23,95
911340		18 07 270 0	4512048774387	LOWER AIR INTAKE MT. BLACK (NXR2)	19,63	23,95
911341		18 07 271 0	4512048774394	LOWER AIR INTAKE MT. BLUE MET. (NXR2)	19,63	23,95

	CODICE	Codice SD	Codice JAN	DESCRIZIONE	€ IVA esclusa	€ IVA INCLUSA
RICAMBI	911342	18 07 272 0	4512048774400	LOWER AIR INTAKE S. RED (NXR2)	19,63	23,95
	911343	18 07 273 0	4512048774417	LOWER AIR INTAKE WHITE (NXR2)	19,63	23,95
	911474	18 07 283 0	4512048803346	LOWER AIR INTAKE RADICAL BLUE (NXR2)	19,63	23,95
	911385	18 08 490 0	4512048774288	FRONT AIR INTAKE BLACK (NXR2)	22,91	27,95
	911386	18 08 491 0	4512048774295	FRONT AIR INTAKE B. GREY (NXR2)	22,91	27,95
	911387	18 08 493 0	4512048774318	FRONT AIR INTAKE MT. BLACK (NXR2)	22,91	27,95
	911388	18 08 494 0	4512048774325	FRONT AIR INTAKE MT. BLUE MET. (NXR2)	22,91	27,95
	911389	18 08 495 0	4512048774332	FRONT AIR INTAKE S. RED (NXR2)	22,91	27,95
	911390	18 08 496 0	4512048774349	FRONT AIR INTAKE WHITE (NXR2)	22,91	27,95
	911391	18 08 497 0	4512048774493	UPPER AIR INTAKE BLACK (NXR2)	22,91	27,95
	911392	18 08 498 0	4512048774509	UPPER AIR INTAKE B. GREY (NXR2)	22,91	27,95
	911393	18 08 500 0	4512048774523	UPPER AIR INTAKE MT. BLACK (NXR2)	22,91	27,95
	911394	18 08 501 0	4512048774530	UPPER AIR INTAKE MT. BLUE MET. (NXR2)	22,91	27,95
	911395	18 08 502 0	4512048774547	UPPER AIR INTAKE S. RED (NXR2)	22,91	27,95
	911396	18 08 503 0	4512048774554	UPPER AIR INTAKE WHITE (NXR2)	22,91	27,95
	911375	18 09 413 0	4512048774424	TOP AIR OUTLET BLACK (NXR2)	32,75	39,95
	911376	18 09 414 0	4512048774431	TOP AIR OUTLET B. GREY (NXR2)	32,75	39,95
	911377	18 09 416 0	4512048774455	TOP AIR OUTLET MT. BLACK (NXR2)	32,75	39,95
	911378	18 09 417 0	4512048774462	TOP AIR OUTLET MT. BLUE MET. (NXR2)	32,75	39,95
	911379	18 09 418 0	4512048774479	TOP AIR OUTLET S. RED (NXR2)	32,75	39,95
911380	18 09 419 0	4512048774486	TOP AIR OUTLET WHITE (NXR2)	32,75	39,95	
911381	18 09 421 0	4512048785116	TOP AIR OUTLET D. GREY (NXR2)	32,75	39,95	

RICAMBI HORNET-ADV / HORNET ADV 06



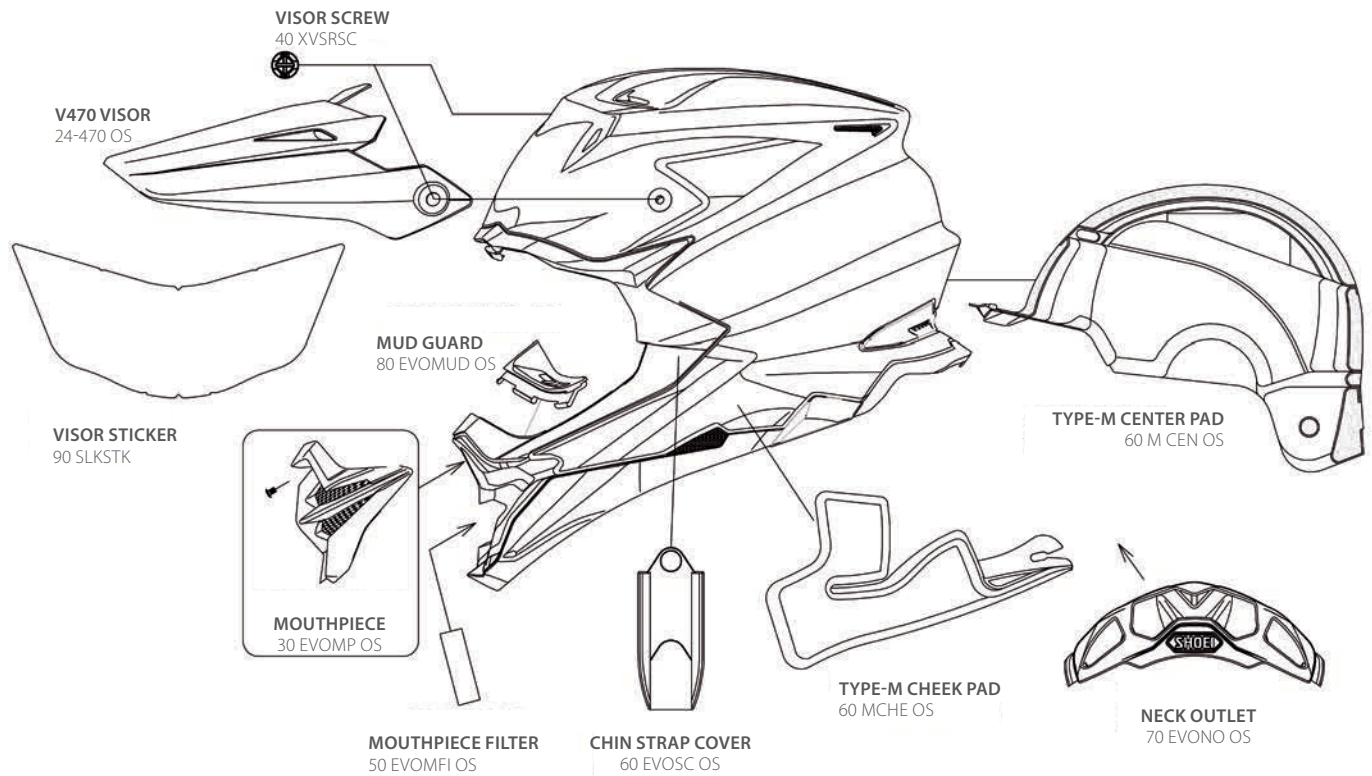
	CODICE	Codice SD	Codice JAN	DESCRIZIONE	€ IVA esclusa	€ IVA INCLUSA
VISIERE	900070	17 25 000 1	4512048492366	CNS-2 WITH PIN CLEAR	64,89	79,17
	900071	17 25 003 1	4512048492342	CNS-2 WITH PIN DARK SMOKE	64,89	79,17
	900072	17 25 004 1	4512048492359	CNS-2 WITH PIN SPECTRA SILVER	124,82	152,28
	900073	17 29 000 0	4512048493349	CNS-2 EVO PINLOCK SHEET	49,17	60,00
BASI MECCANISMO	910947	18 02 159 0	4512048380229	CNS-1 BASE SET	25,48	31,10
	910666	18 02 140 0	4512048302986	QRSA SCREW	10,05	12,26
ACCESSORI	960019	19 02 016 0	4512048303594	CHIN CURTAIN D	21,70	26,47
	960029	19 01 014 0	4512048496579	BREATH GUARD H	21,70	26,47
IMBOTTITURE	950224	18 03 342 0	4512048496456	TYPE-H CHEEK PAD 35 (HORNET ADV)	54,46	66,45
	950225	18 03 341 0	4512048496463	TYPE-H CHEEK PAD 31 (HORNET ADV)	54,46	66,45
	950226	18 03 343 0	4512048496449	TYPE-H CHEEK PAD 39 (HORNET ADV)	54,46	66,45
	950227	18 03 344 0	4512048496432	TYPE-H CHEEK PAD 43 (HORNET ADV)	54,46	66,45
	950228	18 03 345 0	4512048496364	TYPE-H CENTERPAD S17 (HORNET ADV)	50,51	61,62

	CODICE	Codice SD	Codice JAN	DESCRIZIONE	€ IVA esclusa	€ IVA INCLUSA
IMBOTTITURE	950229	18 03 346 0	4512048496371	TYPE-H CENTERPAD S13 (HORNET ADV)	50,51	61,62
	950230	18 03 347 0	4512048496388	TYPE-H CENTERPAD S9 (HORNET ADV)	50,51	61,62
	950231	18 03 348 0	4512048496395	TYPE-H CENTERPAD M9 (HORNET ADV)	50,51	61,62
	950232	18 03 349 0	4512048496401	TYPE-H CENTERPAD L9 (HORNET ADV)	50,51	61,62
	950233	18 03 350 0	4512048496418	TYPE-H CENTERPAD XL9 (HORNET ADV)	50,51	61,62
	950234	18 03 351 0	4512048496425	TYPE-H CENTERPAD XL5 (HORNET ADV)	50,51	61,62
	950405	18 03 353 0	4512048446819	TYPE-H CENTER PAD S5 HORNET ADV	50,51	61,62
	950236	18 03 354 0	4512048446833	TYPE-H CENTER PAD M5 HORNET ADV	50,51	61,62
	950305	18 03 355 0	4512048446826	TYPE-H CENTER PAD M13 HORNET ADV	50,51	61,62
	950406	18 03 356 0	4512048446857	TYPE-H CENTER PAD L5 HORNET ADV	50,51	61,62
	950407	18 03 357 0	4512048446840	TYPE-H CENTER PAD L13 HORNET ADV	50,51	61,62
	950408	18 03 358 0	4512048446864	TYPE-H CENTER PAD XL13 HORNET ADV	50,51	61,62
	950235	18 03 352 0	4512048496470	HORNET ADV CHINSTRAP COVER	14,87	18,14
	950222	18 03 339 0	4512048409913	EAR PAD C	10,05	12,26
FRONTINI	911099	18 04 210 0	4512048496210	V-460 VISOR BLACK	118,84	144,98
	911100	18 04 212 0	4512048496234	V-460 VISOR MT.BLACK	118,84	144,98
	911101	18 04 213 0	4512048496241	V-460 VISOR MT.D.GREY	118,84	144,98
	911105	18 04 211 0	4512048496227	V-460 VISOR WHITE	118,84	144,98
	911106	18 04 217 0	4512048496302	V-460 VISOR COVER BLACK	18,81	22,95
	911107	18 04 219 0	4512048496333	V-460 VISOR COVER MT.BLACK	18,81	22,95
	911108	18 04 220 0	4512048496340	V-460 VISOR COVER MT.D.GREY	18,81	22,95
	911109	18 04 218 0	4512048496319	V-460 VISOR COVER WHITE	18,81	22,95
	911110	18 04 221 0	4512048497101	V-460 VISOR SIDE BASE BLACK	17,77	21,68
	911111	18 04 222 0	4512048497057	V-460 VISOR TOP BASE BLACK	16,84	20,54
	911112	18 04 224 0	4512048497071	V-460 VISOR TOP BASE MT.BLACK	16,84	20,54
	911113	18 04 225 0	4512048497088	V-460 VISOR TOP BASE MT.D.GREY	16,84	20,54
	911114	18 04 223 0	4512048497064	V-460 VISOR TOP BASE WHITE	16,84	20,54
	911115	18 04 227 0	4512048496296	V-460 VISOR VENT BLACK	17,84	21,76

RICAMBI HORNET-ADV / HORNET-ADV 06

	CODICE	Codice SD	Codice JAN	DESCRIZIONE	€ IVA esclusa	€ IVA INCLUSA
RICAMBI	911116	18 04 226 0	4512048496357	V-460 SCREW	7,92	9,67
	910142	18 08 160 0	4512048144098	HORNET ADV/X2 FRONT AIR INTAKE BLACK	24,15	29,46
	911117	18 08 162 0	4512048496548	HORNET ADV/X2 FRONT AIR INTAKE MT.BLACK	24,15	29,46
	911118	18 08 163 0	4512048496555	HORNET ADV/X2 FRONT AIR INTAKE MT.DGREY	24,15	29,46
	910145	18 08 164 0	4512048144135	HORNET ADV/X2 FRONT AIR INTAKE WHITE	24,15	29,46
	911119	18 09 306 0	4512048496494	HORNET ADV/X2 TOP AIR OUTLET BLACK	25,75	31,42
	911120	18 09 308 0	4512048496517	HORNET ADV/X2 TOP AIR OUTLET MT.BLACK	25,75	31,42
	911121	18 09 309 0	4512048496524	HORNET ADV/X2 TOP AIR OUTLET MT.D.GREY	25,75	31,42
	911122	18 09 307 0	4512048496500	HORNET ADV/X2 TOP AIR OUTLET WHITE	25,75	31,42

RICAMBI VFX-WR / VFX-WR 06



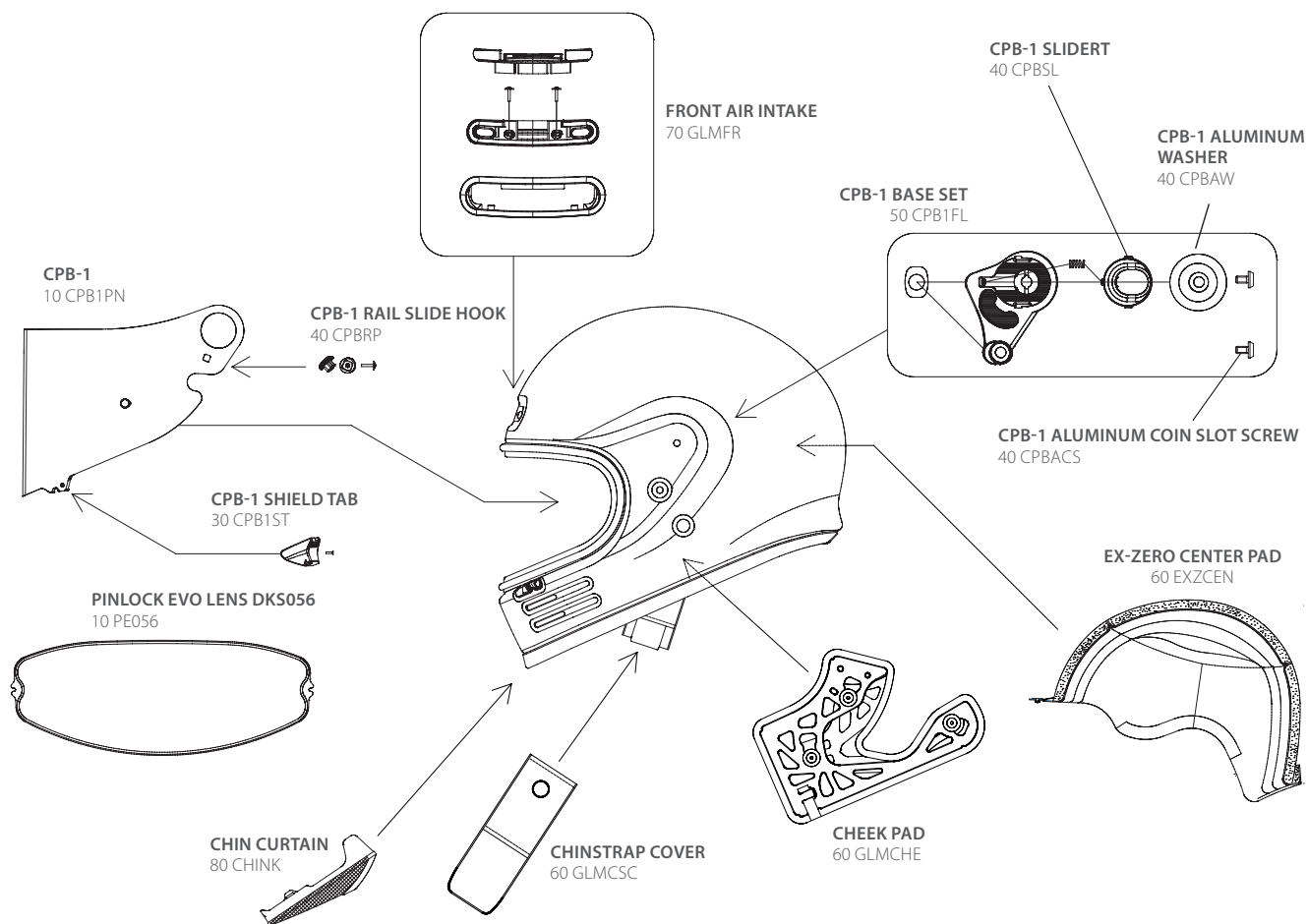
	CODICE	Codice SD	Codice JAN	DESCRIZIONE	€ IVA esclusa	€ IVA INCLUSA
IMBOTTITURE	950331	18 03 456 0	4512048535766	TYPE-M CENTER PAD S17 (STANDARD XS)	58,26	71,08
	950332	18 03 457 0	4512048535773	TYPE-M CENTER PAD S13	58,26	71,08
	950333	18 03 458 0	4512048535780	TYPE-M CENTER PAD S9 (STANDARD S)	58,26	71,08
	950334	18 03 459 0	4512048535797	TYPE-M CENTER PAD S5	58,26	71,08
	950335	18 03 460 0	4512048535803	TYPE-M CENTER PAD M13	58,26	71,08
	950336	18 03 461 0	4512048535810	TYPE-M CENTER PAD M9 (STANDARD M)	58,26	71,08
	950337	18 03 462 0	4512048535827	TYPE-M CENTER PAD M5	58,26	71,08
	950338	18 03 463 0	4512048535834	TYPE-M CENTER PAD L13	58,26	71,08
	950339	18 03 464 0	4512048535841	TYPE-M CENTER PAD L9 (STANDARD L)	58,26	71,08
	950340	18 03 465 0	4512048535858	TYPE-M CENTER PAD L5	58,26	71,08
	950341	18 03 472 0	4512048536251	TYPE-M CENTER PAD XL13	58,26	71,08
	950342	18 03 473 0	4512048536268	TYPE-M CENTER PAD XL9 (STANDARD XL)	58,26	71,08
	950343	18 03 474 0	4512048536275	TYPE-M CENTER PAD XL5 (STANDARD XXL)	58,26	71,08
	950344	18 03 466 0	4512048535865	TYPE-M CHEEK PAD 31	66,69	81,36
	950345	18 03 467 0	4512048535872	TYPE-M CHEEK PAD 35	66,69	81,36

RICAMBI VFX-WR / VFX-WR06

	CODICE	Codice SD	Codice JAN	DESCRIZIONE	€ IVA esclusa	€ IVA INCLUSA
IMBOTTITURE	950346	18 03 468 0	4512048535889	TYPE-M CHEEK PAD 39	66,69	81,36
	950347	18 03 469 0	4512048535896	TYPE-M CHEEK PAD 43	66,69	81,36
	950348	18 03 470 0	4512048536022	VFX-WR CHINSTRAP COVER	8,81	10,75
ACCESSORI	960037	19 01 017 0	4512048535926	VFX-EVO/WR MUD GUARD BLACK	18,87	23,02
	960038	19 01 018 0	4512048535933	VFX-EVO/WR MUD GUARD WHITE	18,87	23,02
RICAMBI	911185	19 01 016 0	4512048535919	VFX-EVO/WR NECK OUTLET	8,74	10,66
	980038	18 04 138 0	4512048288280	SLEEK VISOR STICKER	5,19	6,33
	911186	18 04 245 0	4512048535544	V-470 VISOR BLACK	75,14	91,67
	911187	18 04 246 0	4512048535551	V-470 VISOR WHITE	75,14	91,67
	911188	18 04 247 0	4512048535568	V-470 VISOR MT.BLACK	75,14	91,67
	911189	18 04 248 0	4512048535575	V-470 VISOR GLAIVE TC-1	92,02	112,26
	911190	18 04 249 0	4512048535582	V-470 VISOR GLAIVE TC-2	92,02	112,26
	911191	18 04 250 0	4512048535599	V-470 VISOR GLAIVE TC-5	92,02	112,26
	911192	18 04 251 0	4512048535605	V-470 VISOR GLAIVE TC-8	92,02	112,26
	911193	18 04 252 0	4512048535612	V-470 VISOR ZINGER TC-1	92,02	112,26
	911194	18 04 253 0	4512048535629	V-470 VISOR ZINGER TC-2	92,02	112,26
	911195	18 04 254 0	4512048535636	V-470 VISOR ZINGER TC-10	92,02	112,26
	911196	18 04 255 0	4512048535643	V-470 VISOR BLAZON TC-1	92,02	112,26
	911197	18 04 256 0	4512048535650	V-470 VISOR BLAZON TC-5	92,02	112,26
	911198	18 04 257 0	4512048535667	V-470 VISOR BLAZON TC-6	92,02	112,26
	911311	18 04 261 0	4512048537432	VFX-WR VISOR PAINTABLE	75,14	91,67
	911324	18 04 264 0	4512048552954	VFX-WR VISOR ALLEGIANT TC-1	92,02	112,26
	911325	18 04 265 0	4512048552985	VFX-WR VISOR ALLEGIANT TC-3	92,02	112,26
	911326	18 04 266 0	4512048552992	VFX-WR VISOR ALLEGIANT TC-6	92,02	112,26
	911327	18 04 267 0	4512048553005	VFX-WR VISOR ALLEGIANT TC-8	92,02	112,26
	911328	18 04 268 0	4512048779931	VFX-WR VISOR PINNACLE TC-1	92,02	112,26
	911329	18 04 269 0	4512048779948	VFX-WR VISOR PINNACLE TC-2	92,02	112,26
	911330	18 04 270 0	4512048779962	VFX-WR VISOR PINNACLE TC-8	92,02	112,26

	CODICE	Codice SD	Codice JAN	DESCRIZIONE	€ IVA esclusa	€ IVA INCLUSA
RICAMBI	911199	18 06 077 0	4512048535674	VFX-EVO/WR MOUTHPIECE BLACK	8,81	10,75
	911200	18 06 078 0	4512048535681	VFX-EVO/WR MOUTHPIECE WHITE	8,81	10,75
	911201	18 06 079 0	4512048536244	VFX-EVO/WR MOUTHPIECE MT.BLACK	26,77	32,66
	911202	18 06 080 0	4512048535698	VFX-EVO/WR MOUTHPIECE NOTICEABLE BLUE	26,77	32,66
	911203	18 06 081 0	4512048535704	VFX-EVO/WR MOUTHPIECE LUMINESCENT YELLOW	34,80	42,46
	911204	18 06 082 0	4512048535711	VFX-EVO/WR MOUTHPIECE DEEP GREY	26,77	32,66
	911205	18 06 083 0	4512048535728	VFX-EVO/WR MOUTHPIECE LIGHT SILVER	26,77	32,66
	911206	18 06 084 0	4512048535735	VFX-EVO/WR MOUTHPIECE MT.NOTICEABLE BLUE	26,77	32,66
	911207	18 06 085 0	4512048535742	VFX-EVO/WR MOUTHPIECE MT.SHINE RED	26,77	32,66
	911331	18 06 087 0	4512048553012	VFX-WR MOUTHPIECE ALLEGIANT TC-1	36,84	44,95
	911332	18 06 088 0	4512048553029	VFX-WR MOUTHPIECE ALLEGIANT TC-3	36,84	44,95
	911333	18 06 089 0	4512048553036	VFX-WR MOUTHPIECE ALLEGIANT TC-6	36,84	44,95
	911334	18 06 090 0	4512048553043	VFX-WR MOUTHPIECE ALLEGIANT TC-8	36,84	44,95
	911335	18 06 091 0	4512048779979	VFX-WR MOUTHPIECE PINNACLE TC-1	36,84	44,95
	911336	18 06 092 0	4512048779986	VFX-WR MOUTHPIECE PINNACLE TC-2	36,84	44,95
	911337	18 06 093 0	4512048780005	VFX-WR MOUTHPIECE PINNACLE TC-8	36,84	44,95
	910654	18 04 022 0	4512048288136	CROSS VISOR SCREW SMOKE	3,98	4,86
	910308	18 04 019 0	4512048196523	CROSS VISOR SCREW WHITE	3,98	4,86
	911208	18 06 260 0	4512048535759	VFX-EVO/WR MOUTHPIECE FILTER	3,98	4,86

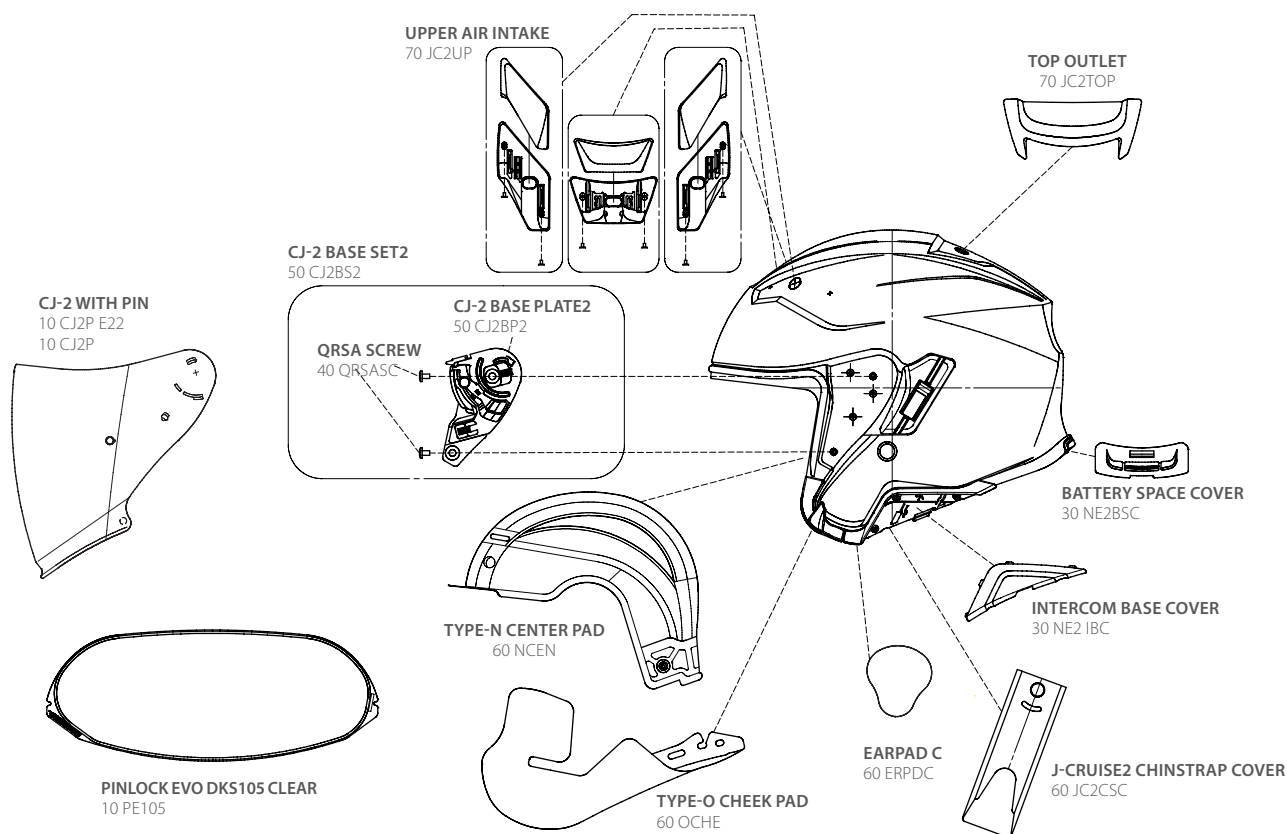
RICAMBI GLAMSTER 06



	CODICE	Codice SD	Codice JAN	DESCRIZIONE	€ IVA esclusa	€ IVA INCLUSA
VISIERE	900098	17 38 000 1	4512048557744	CPB-1V CLEAR (GLAMSTER)	65,53	79,95
	900099	17 38 003 1	4512048775070	CPB-1V DARK SMOKE (GLAMSTER)	65,53	79,95
	900049	17 30 000 0	4512048493325	CPB-1, CWF-1 PINLOCK SHEET CLEAR	38,20	46,60
	900127	17 38 002 1	4512048820206	CPB-1V WITH PIN LIGHT SMOKE (GLAMSTER)	65,53	79,95
ACCESSORI	960041	19 02 026 0	4512048557966	CHIN CURTAIN K (GLAMSTER)	18,87	23,02
IMBOTTITURE	950420	18 03 519 0	4512048557836	GLG / EXZ CENTER PAD S17	32,75	39,95
	950373	18 03 476 0	4512048537241	GLG / EXZ CENTER PAD S13 (STANDARD XS)	32,75	39,95
	950374	18 03 477 0	4512048537258	GLG / EXZ CENTER PAD S9 (STANDARD S)	32,75	39,95
	950375	18 03 478 0	4512048537265	GLG / EXZ CENTER PAD S5	32,75	39,95
	950376	18 03 479 0	4512048537272	GLG / EXZ CENTER PAD M13	32,75	39,95
	950377	18 03 480 0	4512048537289	GLG / EXZ CENTER PAD M9 (STANDARD M)	32,75	39,95
	950378	18 03 481 0	4512048537296	GLG / EXZ CENTER PAD M5	32,75	39,95
	950379	18 03 482 0	4512048537302	GLG / EXZ CENTER PAD L13	32,75	39,95

	CODICE	Codice SD	Codice JAN	DESCRIZIONE	€ IVA esclusa	€ IVA INCLUSA
IMBOTTITURE	950380	18 03 483 0	4512048537319	GLG / EXZ CENTER PAD L9 (STANDARD L)	32,75	39,95
	950381	18 03 484 0	4512048537326	GLG / EXZ CENTER PAD L5	32,75	39,95
	950382	18 03 485 0	4512048537333	GLG / EXZ CENTER PAD XL13	32,75	39,95
	950383	18 03 486 0	4512048537340	GLG / EXZ CENTER PAD XL9 (STANDARD XL)	32,75	39,95
	950384	18 03 487 0	4512048537357	GLG / EXZ CENTER PAD XL5 (STANDARD XXL)	32,75	39,95
	950393	18 03 524 0	4512048557843	GLAMSTER CHEEK PAD 47	33,76	41,19
	950394	18 03 523 0	4512048557850	GLAMSTER CHEEK PAD 43 (STANDARD XS)	33,76	41,19
	950395	18 03 522 0	4512048557867	GLAMSTER CHEEK PAD 39 (STANDARD S-M-L-XL)	33,76	41,19
	950396	18 03 521 0	4512048557874	GLAMSTER CHEEK PAD 35 (STANDARD XXL)	33,76	41,19
	950397	18 03 520 0	4512048557881	GLAMSTER CHEEK PAD 31	33,76	41,19
	950511	18 03 575 0	4511048802882	GLAMSTER 6 CHINSTRAP COVER	12,60	15,37
	RICAMBI	911266	18 08 478 0	4512048557904	GLAMSTER FRONT AIR INTAKE BLACK	18,99
911267		18 08 479 0	4512048557911	GLAMSTER FRONT AIR INTAKE B.GREY	18,99	23,17
911268		18 08 480 0	4512048557928	GLAMSTER FRONT AIR INTAKE LAGUNA BLUE	18,99	23,17
911269		18 08 481 0	4512048557935	GLAMSTER FRONT AIR INTAKE MT.BLACK	18,99	23,17
911270		18 08 482 0	4512048557942	GLAMSTER FRONT AIR INTAKE OFF WHITE	18,99	23,17
911271		18 08 483 0	4512048557959	GLAMSTER FRONT AIR INTAKE WHITE	18,99	23,17
911272		18 00 580 0	4512048557973	GLAMSTER LOGO STICKER	6,75	8,24
911273		18 02 220 0	4512048773182	CPB-1 SHIELD TAB	7,59	9,26
911316		18 02 227 0	4512048777081	CPB-1V SHIELD TAB	7,59	9,26
911274		18 02 221 0	4512048557775	CPB-1 ALUMINUM COIN SLOT SCREW	7,59	9,26
911275		18 02 222 0	4512048773168	CPB-1 ALUMINUM WASHER	8,44	10,30
911276		18 02 223 0	4512048557799	CPB-1 SLIDERS	7,59	9,26
911277		18 02 224 0	4512048773199	CPB-1 RAIL SLIDE HOOK	7,59	9,26
911278		18 02 225 0	4512048557812	CPB-1 BASE PLATE (INCLUDE SLIDERS)	16,46	20,08
911279		18 02 226 0	4512048773175	CPB-1 BASE SET (KIT COMPLETO)	20,26	24,72

RICAMBI J-CRUISE II

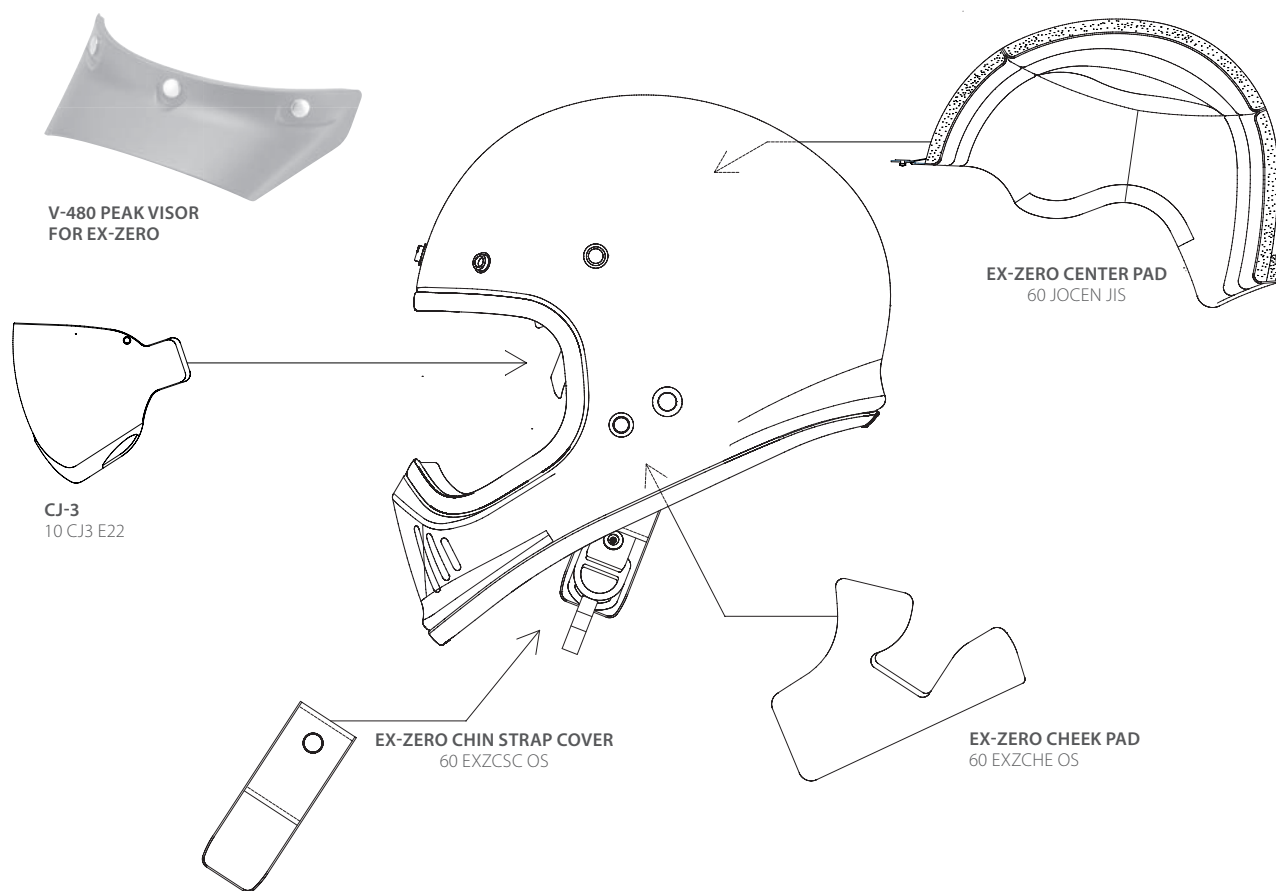


	CODICE	Codice SD	Codice JAN	DESCRIZIONE	€ IVA esclusa	€ IVA INCLUSA
VISIERE	900054	17 22 000 1	4512048370541	CJ-2 WITH PIN CLEAR E6	81,93	99,95
	900075	17 22 003 1	4512048497439	CJ-2 WITH PIN DARK SMOKE	81,93	99,95
	900094	17 22 020 1	4512048501631	CJ-2SP WITH PIN FOR V-440 CLEAR E6 (SOLO PER FRONTINO V-440)	81,93	99,95
	900055	17 32 000 0	4512048493059	CJ-2 PINLOCK SHEET	42,76	52,17
	911212	18 20 002 0	4512048546236	QSV-2 SUN VISOR DARK	33,00	40,26
	911213	18 20 003 0	4512048546243	QSV-2 SUN VISOR HIGH DEFINITION YELLOW	33,00	40,26
BASI MECCANISMO	911511	18 02 268 0	4512048552282	CJ-2 BASE PLATE 2 (J-CRUISE 2,3)	18,57	22,65
	910666	18 02 140 0	4512048302986	QRSA SCREW	10,05	12,26
ACCESSORI	960042	18 04 228 0	4512048501655	V-440 VISOR BLACK	43,05	52,52
	960043	18 04 229 0	4512048501662	V-440 VISOR WHITE	43,05	52,52
IMBOTTITURE	950222	18 03 339 0	4512048409913	EAR PAD C	10,05	12,26
	950355	18 03 509 0	4512048546274	TYPE-N CENTER PAD L13	58,26	71,08
	950356	18 03 507 0	4512048546281	TYPE-N CENTER PAD L5	58,26	71,08
	950357	18 03 508 0	4512048546298	TYPE-N CENTER PAD L9 (STANDARD L)	58,26	71,08
	950358	18 03 506 0	4512048546304	TYPE-N CENTER PAD M13	58,26	71,08
	950359	18 03 504 0	4512048546311	TYPE-N CENTER PAD M5	58,26	71,08

RICAMBI J-CRUISE II

	CODICE	Codice SD	Codice JAN	DESCRIZIONE	€ IVA esclusa	€ IVA INCLUSA
IMBOTTITURE	950360	18 03 505 0	4512048546328	TYPE-N CENTER PAD M9 (STANDARD M)	58,26	71,08
	950361	18 03 502 0	4512048546335	TYPE-N CENTER PAD S13 (STANDARD XS)	58,26	71,08
	950362	18 03 500 0	4512048546342	TYPE-N CENTER PAD S5	58,26	71,08
	950363	18 03 501 0	4512048546359	TYPE-N CENTER PAD S9 (STANDARD S)	58,26	71,08
	950364	18 03 512 0	4512048546366	TYPE-N CENTER PAD XL13	58,26	71,08
	950365	18 03 510 0	4512048546373	TYPE-N CENTER PAD XL5 (STANDARD XXL)	58,26	71,08
	950366	18 03 511 0	4512048546380	TYPE-N CENTER PAD XL9 (STANDARD XL)	58,26	71,08
	950387	18 03 503 0	4512048547004	TYPE-N CENTER PAD S17	58,26	71,08
	950388	18 03 514 0	4512048552435	TYPE-O CHEEK PAD 31 (STANDARD XXL)	46,43	56,64
	950389	18 03 515 0	4512048552442	TYPE-O CHEEK PAD 35 (STANDARD S-M-L-XL)	46,43	56,64
	950390	18 03 516 0	4512048552459	TYPE-O CHEEK PAD 39 (STANDARD XS)	46,43	56,64
	950391	18 03 517 0	4512048552466	TYPE-O CHEEK PAD 43	46,43	56,64
	950392	18 03 518 0	4512048552473	JC2 CHINSTRAP COVER	12,60	15,37
	RICAMBI	911251	18 09 396 0	4512048552060	J-CRUISE2 TOP OUTLET BLACK	21,09
911252		18 09 397 0	4512048552800	J-CRUISE2 TOP OUTLET BAS.GREY	21,09	25,73
911253		18 09 398 0	4512048552817	J-CRUISE2 TOP OUTLET MT.BAS.GREY	21,09	25,73
911254		18 09 399 0	4512048552077	J-CRUISE2 TOP OUTLET WHITE	21,09	25,73
911255		18 09 400 0	4512048552084	J-CRUISE2 TOP OUTLET MT.BLACK	21,09	25,73
911256		18 09 401 0	4512048552091	J-CRUISE2 TOP OUTLET MT.BLUE.M	21,09	25,73
911257		18 09 402 0	4512048552107	J-CRUISE2 TOP OUTLET MT.D.GREY	21,09	25,73
911258		18 09 403 0	4512048552114	J-CRUISE2 TOP OUTLET M.ANTHRACITE	21,09	25,73
911259		18 08 470 0	4512048552565	J-CRUISE2 UPPER AIR INTAKE BLACK	25,32	30,89
911260		18 08 471 0	4512048552824	J-CRUISE2 UPPER AIR INTAKE BAS.GREY	25,32	30,89
911261		18 08 472 0	4512048552831	J-CRUISE2 UPPER AIR INTAKE MT.BAS.GREY	25,32	30,89
911262		18 08 473 0	4512048552572	J-CRUISE2 UPPER AIR INTAKE WHITE	25,32	30,89
911263		18 08 474 0	4512048552589	J-CRUISE2 UPPER AIR INTAKE MT.BLACK	25,32	30,89
911265		18 08 475 0	4512048552596	J-CRUISE2 UPPER AIR INTAKE MT.BLUE.M	25,32	30,89
911264		18 08 476 0	4512048552602	J-CRUISE2 UPPER AIR INTAKE MT.D.GREY	25,32	30,89
911183		18 00 488 0	4512048534189	NEOTEC2 BATTERY SPACE COVER	8,74	10,66
911184		18 00 489 0	4512048534196	NEOTEC2 INTERCOM BASE COVER	8,44	10,30
910931		18 00 477 0	4512048533892	MICRO RATCHET RUBBER COVER	4,22	5,15

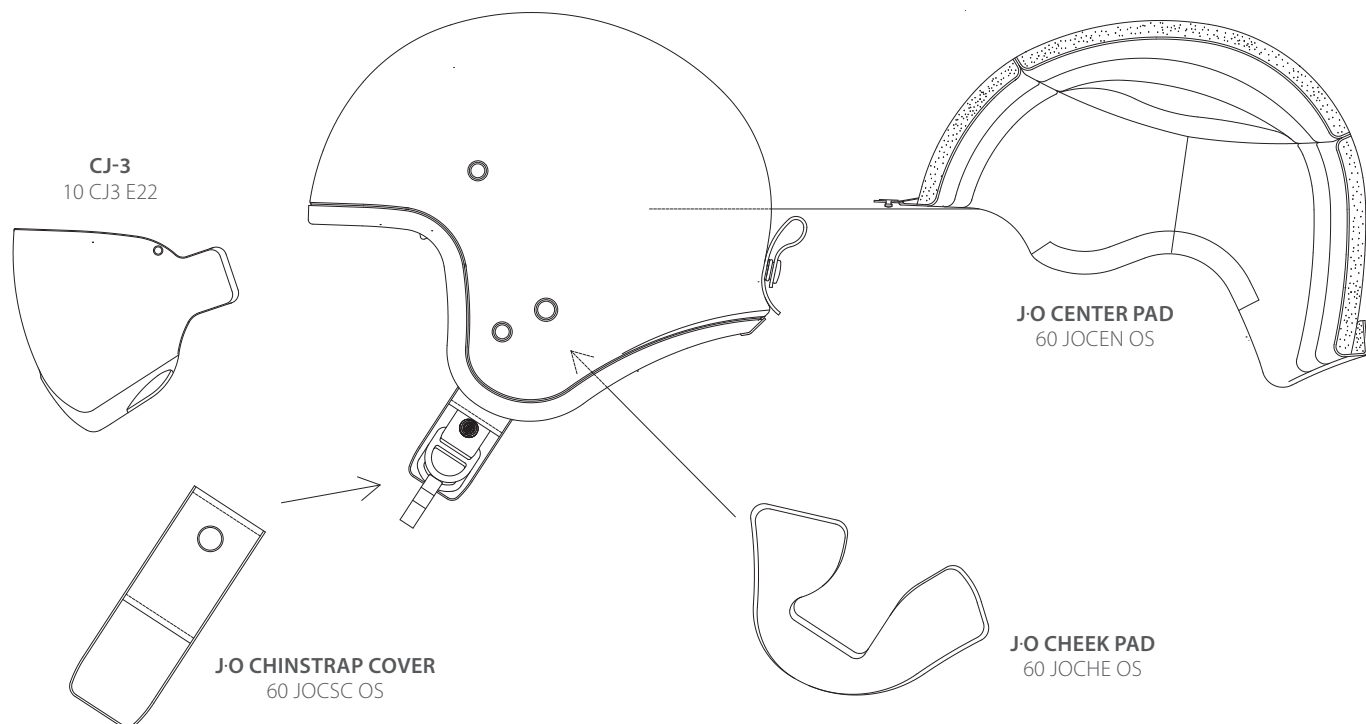
RICAMBI EX-ZERO



	CODICE	Codice SD	Codice JAN	DESCRIZIONE	€ IVA esclusa	€ IVA INCLUSA
VISIERE	900081	17 35 000 0	4512048507909	CJ-3 CLEAR	41,33	50,42
	900083	17 35 011 0	4512048507923	CJ-3 HIGH VISIBILITY YELLOW	41,33	50,42
	900082	17 35 003 0	4512048507916	CJ-3 DARK SMOKE	41,33	50,42
	900087	17 35 006 0	4512048536282	CJ-3 SPECTRA GOLD	75,14	91,67
	900088	17 35 004 0	4512048538026	CJ-3 SPECTRA SILVER	75,14	91,67
	900090	17 35 012 0	4512048767396	CJ-3 PHOTOCROMIC	151,12	184,37
ACCESSORI	911211	18 04 262 0	4512048540845	V-480 PEAK VISOR FOR EX-ZERO	28,71	35,03
IMBOTTITURE	950368	18 03 488 0	4512048537364	EX-ZERO CHEEK PAD 47	31,00	37,82
	950369	18 03 489 0	4512048537371	EX-ZERO CHEEK PAD 43 (STANDARD XS)	31,00	37,82
	950370	18 03 490 0	4512048537388	EX-ZERO CHEEK PAD 39 (STANDARD S, M, L, XL)	31,00	37,82
	950371	18 03 491 0	4512048537395	EX-ZERO CHEEK PAD 35 (STANDARD XXL)	31,00	37,82
	950372	18 03 492 0	4512048537401	EX-ZERO CHEEK PAD 31	31,00	37,82
	950373	18 03 476 0	4512048537241	GLG / EXZ CENTER PAD S13 (STANDARD XS)	32,75	39,95

	CODICE	Codice SD	Codice JAN	DESCRIZIONE	€ IVA esclusa	€ IVA INCLUSA
IMBOTTITURE	950374	18 03 477 0	4512048537258	GLG / EXZ CENTER PAD S9 (STANDARD S)	32,75	39,95
	950375	18 03 478 0	4512048537265	GLG / EXZ CENTER PAD S5	32,75	39,95
	950376	18 03 479 0	4512048537272	GLG / EXZ CENTER PAD M13	32,75	39,95
	950377	18 03 480 0	4512048537289	GLG / EXZ CENTER PAD M9 (STANDARD M)	32,75	39,95
	950378	18 03 481 0	4512048537296	GLG / EXZ CENTER PAD M5	32,75	39,95
	950379	18 03 482 0	4512048537302	GLG / EXZ CENTER PAD L13	32,75	39,95
	950380	18 03 483 0	4512048537319	GLG / EXZ CENTER PAD L9 (STANDARD L)	32,75	39,95
	950381	18 03 484 0	4512048537326	GLG / EXZ CENTER PAD L5	32,75	39,95
	950382	18 03 485 0	4512048537333	GLG / EXZ CENTER PAD XL13	32,75	39,95
	950383	18 03 486 0	4512048537340	GLG / EXZ CENTER PAD XL9 (STANDARD XL)	32,75	39,95
	950384	18 03 487 0	4512048537357	GLG / EXZ CENTER PAD XL5 (STANDARD XXL)	32,75	39,95
	950399	18 03 493 0	4512048537418	EX-ZERO CHINSTRAP COVER	15,51	18,92

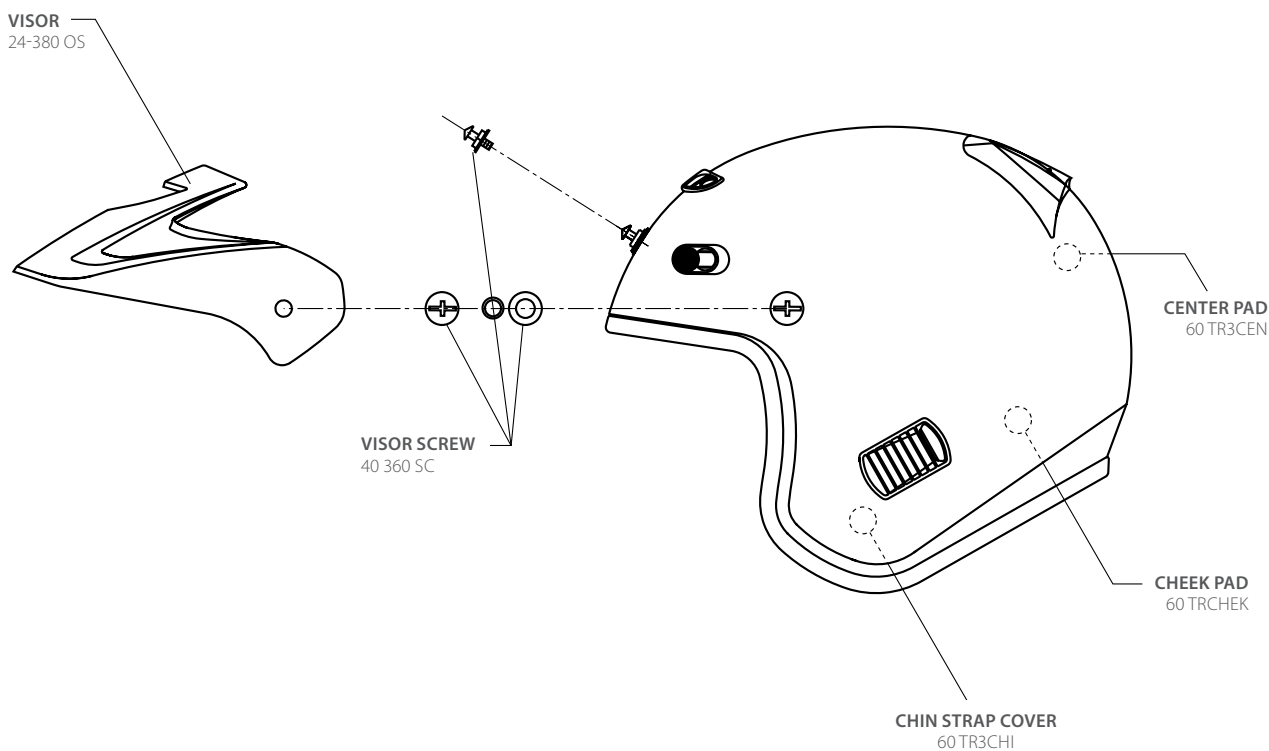
RICAMBI J.O



	CODICE	Codice SD	Codice JAN	DESCRIZIONE	€ IVA esclusa	€ IVA INCLUSA
VISIERE	900081	17 35 000 0	4512048507909	CJ-3 CLEAR	41,33	50,42
	900083	17 35 011 0	4512048507923	CJ-3 HIGH VISIBILITY YELLOW	41,33	50,42
	900082	17 35 003 0	4512048507916	CJ-3 DARK SMOKE	41,33	50,42
	900087	17 35 006 0	4512048536282	CJ-3 SPECTRA GOLD	75,14	91,67
	900088	17 35 004 0	4512048538026	CJ-3 SPECTRA SILVER	75,14	91,67
	900090	17 35 012 0	4512048767396	CJ-3 PHOTOCROMIC	151,12	184,37
IMBOTTITURE	950248	18 03 417 0	4512048508678	J.O CHINSTRAP COVER	15,51	18,92
	950249	18 03 416 0	4512048508661	J.O CHEEKPAD 31	24,55	29,95
	950250	18 03 415 0	4512048508654	J.O CHEEKPAD 35	24,55	29,95
	950251	18 03 414 0	4512048508647	J.O CHEEKPAD 39	24,55	29,95
	950252	18 03 413 0	4512048508630	J.O CHEEKPAD 43	24,55	29,95
	950253	18 03 401 0	4512048508517	J.O CENTERPAD S13 (XS)	32,75	39,96

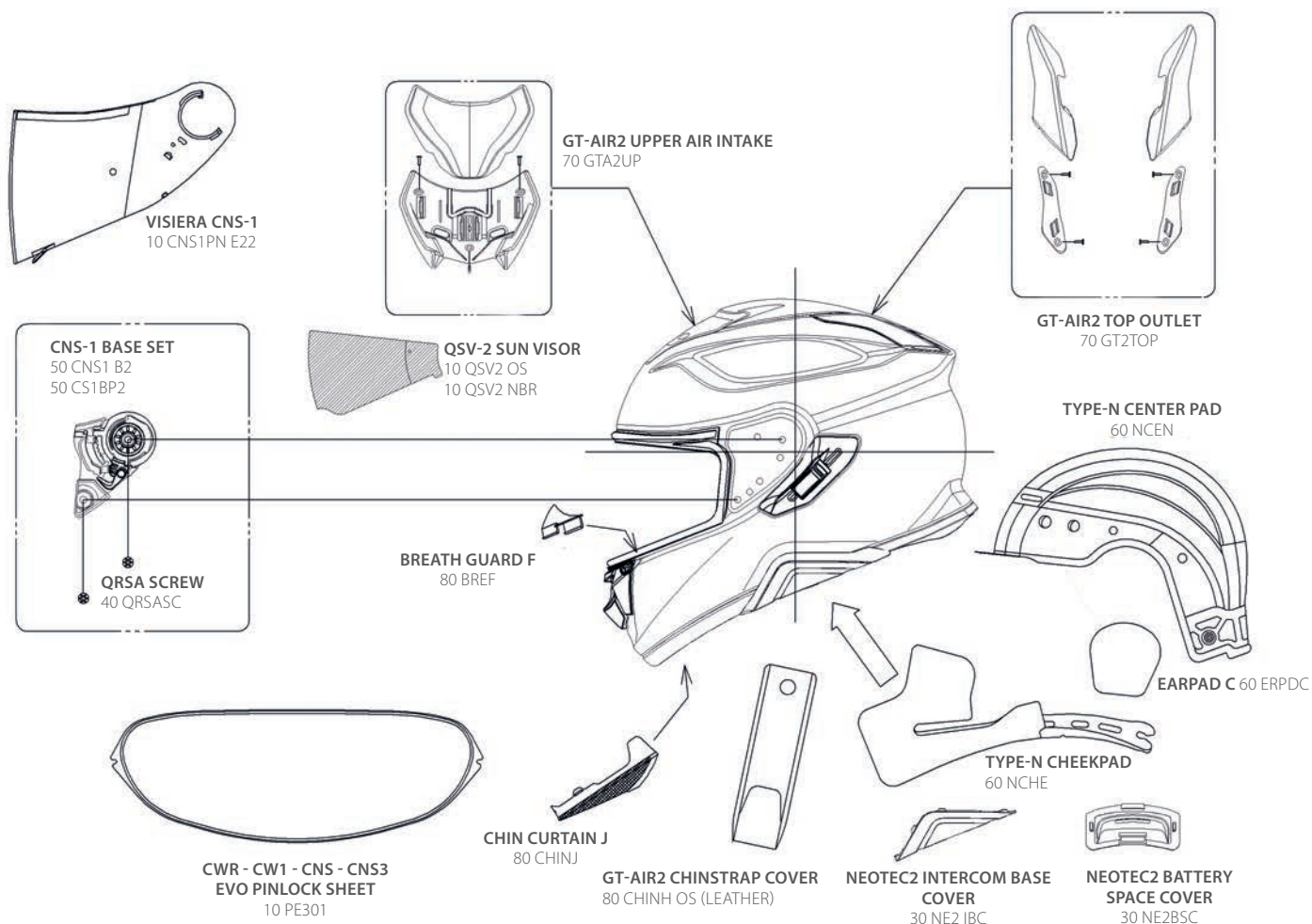
	CODICE	Codice SD	Codice JAN	DESCRIZIONE	€ IVA esclusa	€ IVA INCLUSA
IMBOTTITURE	950254	18 03 402 0	4512048508524	J.O CENTERPAD S9	32,75	39,96
	950255	18 03 405 0	4512048508555	J.O CENTERPAD M9	32,75	39,96
	950256	18 03 408 0	4512048508586	J.O CENTERPAD L9	32,75	39,96
	950257	18 03 411 0	4512048508616	J.O CENTERPAD XL9	32,75	39,96
	950258	18 03 412 0	4512048508623	J.O CENTERPAD XL5	32,75	39,96
	950410	18 03 400 0	4512048508500	J.O CENTERPAD S17	32,75	39,96
	950411	18 03 403 0	4512048508531	J.O CENTERPAD S5	32,75	39,96
	950401	18 03 404 0	4512048508548	J.O CENTERPAD M13	32,75	39,95
	950412	18 03 406 0	4512048508562	J.O CENTERPAD M5	32,75	39,95
	950350	18 03 407 0	4512048508579	J.O CENTERPAD L13	32,75	39,95
	950413	18 03 409 0	4512048508593	J.O CENTERPAD L5	32,75	39,95
	950414	18 03 410 0	4512048508609	J.O CENTERPAD XL13	32,75	39,95

RICAMBI TR-3



	CODICE	Codice SD	Codice JAN	DESCRIZIONE	€ IVA esclusa	€ IVA INCLUSA
VISIERE	910129	18 04 003 0	4512048140717	V360-VISOR WHITE	12,17	14,85
	910074	18 04 014 0	4512048129323	V-360 SCREW SET	5,12	6,25
IMBOTTITURE	950082	18 03 056 0	4512048263461	TR-3/2 CHEEKPAD 51 (XS)	40,69	49,64
	950075	18 03 057 0	4512048243883	TR-3/2 CHEEKPAD 47 (S/L)	40,69	49,64
	950073	18 03 058 0	4512048225742	TR-3/2 CHEEKPAD 43 (M/XL)	40,69	49,64
	950006	18 03 061 0	4512048130541	TR-3/2 CENTERPAD M13 (S)	61,58	75,13
	950003	18 03 062 0	4512048124304	TR-3/2 CENTERPAD M9 (M)	61,58	75,13
	950004	18 03 063 0	4512048124311	TR-3/2 CENTERPAD L13 (L)	61,58	75,13
	950007	18 03 064 0	4512048130558	TR-3/2 CENTERPAD L9 (XL)	61,58	75,13
	950074	18 03 059 0	4512048227661	TR-3 CHINSTRAP COVER	12,60	15,37

RICAMBI GT-AIR II



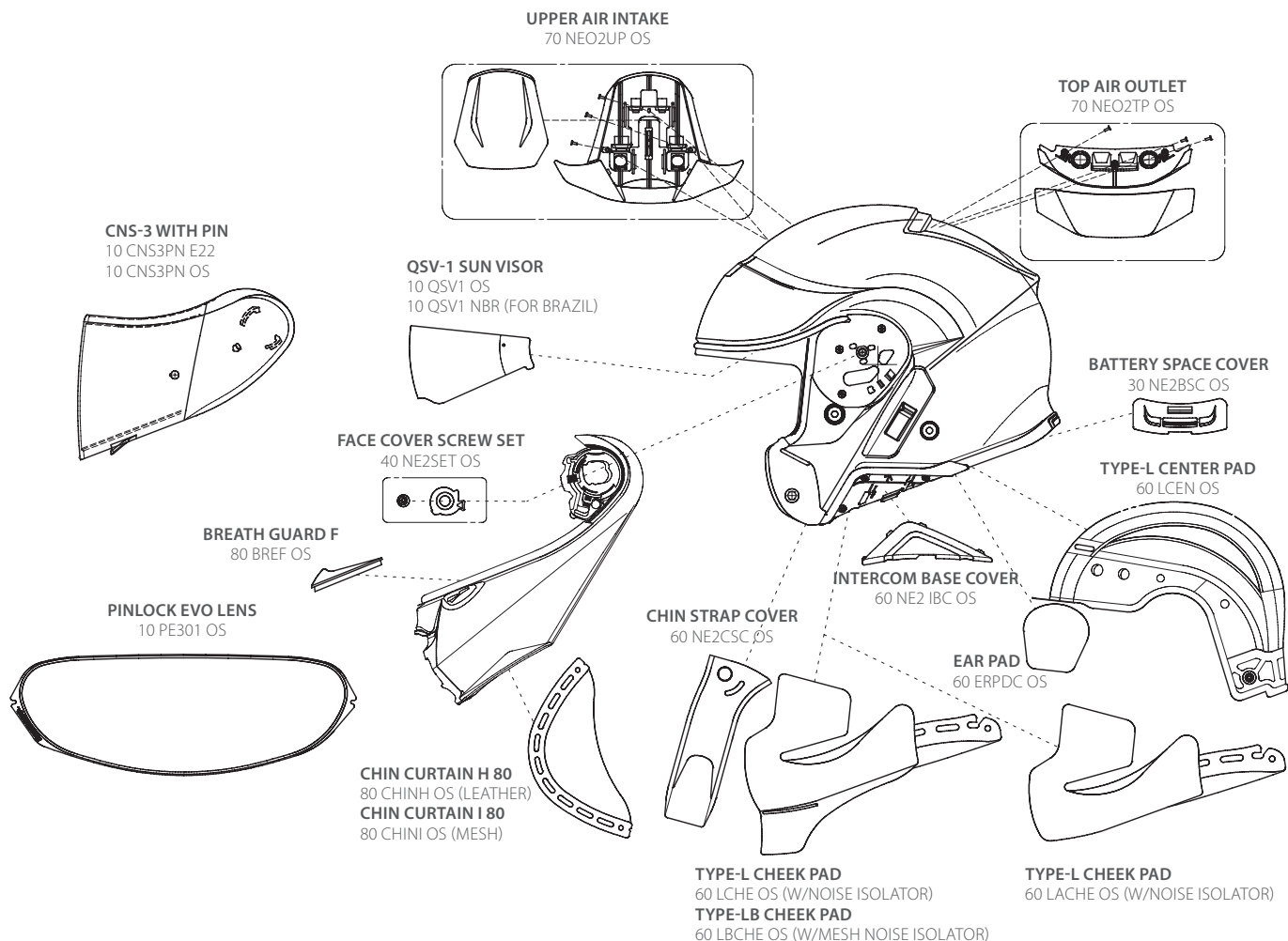
	CODICE	Codice SD	Codice JAN	DESCRIZIONE	€ IVA esclusa	€ IVA INCLUSA
VISIERE	900052	17 21 000 1	4512048354848	CNS-1 WITH PIN CLEAR	56,43	68,84
	900066	17 21 001 1	4512048414504	CNS-1 WITH PIN MELLOW SMOKE	56,43	68,84
	900065	17 21 003 1	4512048414498	CNS-1 WITH PIN DARK SMOKE	56,43	68,84
	900067	17 21 005 1	4512048414511	CNS-1 WITH PIN SPECTRA BLU	90,12	109,95
	900068	17 21 010 1	4512048414528	CNS-1 WITH PIN SPECTRA FIRE ORANGE	90,12	109,95
	900069	17 21 004 1	4512048414535	CNS-1 WITH PIN SPECTRA SILVER	90,12	109,95
	900050	17 28 000 0	4512048493042	CWR - CW1 - CNS - CNS3 EVO PINLOCK SHEET	38,20	46,60
	911212	18 20 002 0	4512048546236	QSV-2 SUN VISOR DARK (GT-AIR II)	33,00	40,26
	911213	18 20 003 0	4512048546243	QSV-2 SUN VISOR HIGH DEFINITION YELLOW	33,00	40,26
BASI MECCANISMO	911314	18 02 204 0	4512048546250	CNS-1 BASE 2 SET (GT-AIR II)	22,91	27,95
	911315	18 02 205 0	4512048546267	CNS-1 BASE PLATE 2 (GT-AIR II)	19,63	23,95
	910666	18 02 140 0	4512048302986	QRSASCREW	10,05	12,26

RICAMBI GT-AIR II

	CODICE	Codice SD	Codice JAN	DESCRIZIONE	€ IVA esclusa	€ IVA INCLUSA
ACCESSORI	960018	19 01 010 0	4512048303587	BREATHGUARD F (GT-AIR II, NEO II, RYD, NXR, GT-AIR, NEOTEC, QWEST, XR-1100)	18,87	23,02
	960040	19 02 025 0	4512048546595	CHIN CURTAIN J (GT-AIR II)	18,87	23,02
IMBOTTITURE	950352	18 03 495 0	4512048546397	TYPE-N CHEEK PAD 31 (GT-AIR II)	49,14	59,95
	950353	18 03 496 0	4512048546403	TYPE-N CHEEK PAD 35 (GT-AIR II)	49,14	59,95
	950354	18 03 497 0	4512048546410	TYPE-N CHEEK PAD 39 (GT-AIR II)	49,14	59,95
	950400	18 03 499 0	4512048547011	TYPE-N CHEEK PAD 43 (GT-AIR II)	49,14	59,95
	950355	18 03 509 0	4512048546274	TYPE-N CENTER PAD L13	58,26	71,08
	950356	18 03 507 0	4512048546281	TYPE-N CENTER PAD L5	58,26	71,08
	950357	18 03 508 0	4512048546298	TYPE-N CENTER PAD L9 (STANDARD L)	58,26	71,08
	950358	18 03 506 0	4512048546304	TYPE-N CENTER PAD M13	58,26	71,08
	950359	18 03 504 0	4512048546311	TYPE-N CENTER PAD M5	58,26	71,08
	950360	18 03 505 0	4512048546328	TYPE-N CENTER PAD M9 (STANDARD M)	58,26	71,08
	950361	18 03 502 0	4512048546335	TYPE-N CENTER PAD S13 (STANDARD XS)	58,26	71,08
	950362	18 03 500 0	4512048546342	TYPE-N CENTER PAD S5	58,26	71,08
	950363	18 03 501 0	4512048546359	TYPE-N CENTER PAD S9 (STANDARD S)	58,26	71,08
	950364	18 03 512 0	4512048546366	TYPE-N CENTER PAD XL13	58,26	71,08
	950365	18 03 510 0	4512048546373	TYPE-N CENTER PAD XL5 (STANDARD XXL)	58,26	71,08
	950366	18 03 511 0	4512048546380	TYPE-N CENTER PAD XL9 (STANDARD XL)	58,26	71,08
	950367	18 03 498 0	4512048546427	GT-AIR2 CHINSTRAP COVER	12,60	15,37
	950222	18 03 339 0	4512048409913	EAR PAD C	10,05	12,26
	RICAMBI	911214	18 09 385 0	4512048546434	GT-AIR2 TOP OUTLET BLACK	22,16
911215		18 09 386 0	4512048546441	GT-AIR2 TOP OUTLET BR.YELLOW	22,16	27,04
911216		18 09 387 0	4512048546458	GT-AIR2 TOP OUTLET L.SILVER	22,16	27,04
911217		18 09 388 0	4512048546465	GT-AIR2 TOP OUTLET MT.BLACK	22,16	27,04
911218		18 09 389 0	4512048546472	GT-AIR2 TOP OUTLET MT.BLUE.M	22,16	27,04
911219		18 09 390 0	4512048546489	GT-AIR2 TOP OUTLET MT.D.GREY	22,16	27,04
911220		18 09 391 0	4512048546496	GT-AIR2 TOP OUTLET WHITE	22,16	27,04
911221		18 08 467 0	4512048546502	GT-AIR2 UPPER AIR INTAKE BLACK/BLACK BASE	15,41	18,80

	CODICE	Codice SD	Codice JAN	DESCRIZIONE	€ IVA esclusa	€ IVA INCLUSA
RICAMBI	911222	18 08 460 0	4512048546519	GT-AIR2 UPPER AIR INTAKE BLACK/SMOKE BASE	22,91	27,95
	911223	18 08 461 0	4512048546526	GT-AIR2 UPPER AIR INTAKE BR.YELLOW	22,91	27,95
	911224	18 08 462 0	4512048546533	GT-AIR2 UPPER AIR INTAKE L.SILVER	22,91	27,95
	911225	18 08 463 0	4512048546540	GT-AIR2 UPPER AIR INTAKE MT.BLACK/SMOKE BASE	22,91	27,95
	911226	18 08 468 0	4512048546557	GT-AIR2 UPPER AIR INTAKE MT.BLACK/BLACK BASE	22,91	27,95
	911227	18 08 464 0	4512048546564	GT-AIR2 UPPER AIR INTAKE MT.BLUE.M	22,91	27,95
	911228	18 08 465 0	4512048546571	GT-AIR2 UPPER AIR INTAKE MT.D.GREY	22,91	27,95
	911229	18 08 466 0	4512048546588	GT-AIR2 UPPER AIR INTAKE WHITE	22,91	27,95
	911183	18 00 488 0	4512048534189	NEOTEC2 BATTERY SPACE COVER	8,74	10,66
	911184	18 00 489 0	4512048534196	NEOTEC2 INTERCOM BASE COVER	8,44	10,30
	910931	18 00 477 0	4512048533892	MICRO RATCHET RUBBER COVER	4,22	5,15

RICAMBI NEOTEC II



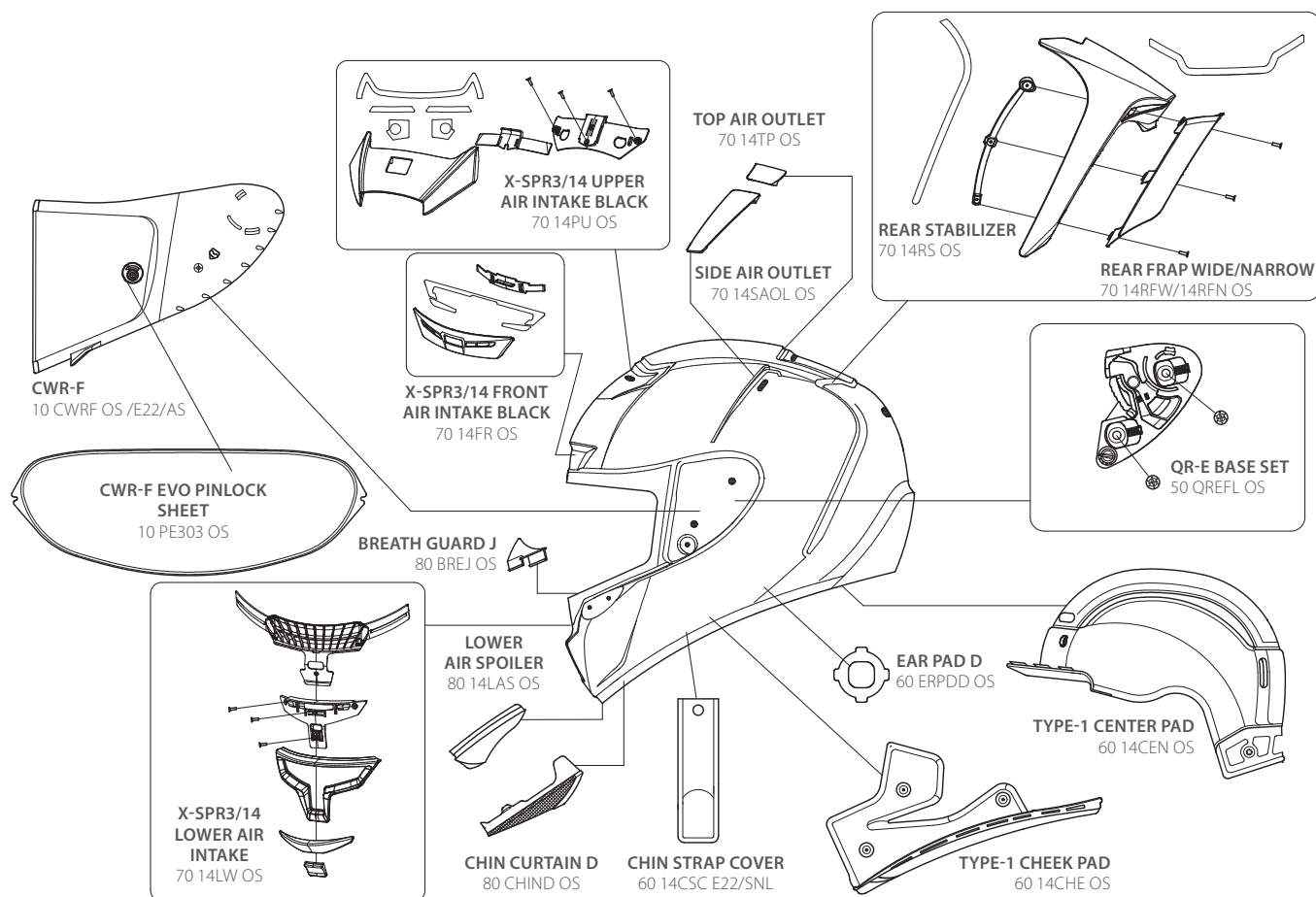
	CODICE	Codice SD	Codice JAN	DESCRIZIONE	€ IVA esclusa	€ IVA INCLUSA
VISIERE	900050	17 28 000 0	4512048493042	CWR - CW1 - CNS - CNS3 EVO PINLOCK SHEET	38,20	46,60
	900084	17 36 000 1	4512048533434	CNS-3 PN CLEAR	63,32	77,25
	900085	17 36 001 1	4512048533458	CNS-3 PN MELLOW SMOKE	63,32	77,25
	900086	17 36 003 1	4512048533465	CNS-3 PN DARK SMOKE	63,32	77,25
	900095	17 36 004 1	4512048546076	CNS-3 SPECTRA SILVER	125,79	153,47
	900096	17 36 005 1	4512048546052	CNS-3 SPECTRA BLUE	125,79	153,47
	900097	17 36 010 1	4512048546069	CNS-3 SPECTRA FIRE ORANGE	125,79	153,47
	910908	18 20 000 0	4512048356668	QSV-1 SUN VISOR DARK	33,00	40,26
	911166	18 20 001 0	4512048520984	QSV-1 SUN VISOR HIGH DEFINITION YELLOW	33,00	40,26
ACCESSORI	960018	19 01 010 0	4512048303587	BREATHGUARD F (NEOTEC II, RYD, NXR, GT-AIR, NEOTEC, QWEST, XR-1100)	18,87	23,02
	960035	19 02 023 0	4512048534622	CHIN CURTAIN H (NEOTEC II PELLE)	18,87	23,02
	960036	19 02 024 0	4512048534639	CHIN CURTAIN I (NEOTEC II MESH)	18,87	23,02

	CODICE	Codice SD	Codice JAN	DESCRIZIONE	€ IVA esclusa	€ IVA INCLUSA
IMBOTTITURE	950306	18 03 439 0	4512048534219	TYPE-L CENTER PAD L13	40,94	49,95
	950307	18 03 437 0	4512048534226	TYPE-L CENTER PAD L5	40,94	49,95
	950308	18 03 438 0	4512048534233	TYPE-L CENTER PAD L9 (STANDARD L)	40,94	49,95
	950309	18 03 436 0	4512048534240	TYPE-L CENTER PAD M13	40,94	49,95
	950310	18 03 434 0	4512048534257	TYPE-L CENTER PAD M5	40,94	49,95
	950311	18 03 435 0	4512048534264	TYPE-L CENTER PAD M9 (STANDARD M)	40,94	49,95
	950312	18 03 433 0	4512048534271	TYPE-L CENTER PAD S13	40,94	49,95
	950313	18 03 431 0	4512048534288	TYPE-L CENTER PAD S5	40,94	49,95
	950314	18 03 432 0	4512048534295	TYPE-L CENTER PAD S9 (standard S)	40,94	49,95
	950315	18 03 442 0	4512048534301	TYPE-L CENTER PAD XL13	40,94	49,95
	950316	18 03 440 0	4512048534318	TYPE-L CENTER PAD XL5 (standard XXL)	40,94	49,95
	950317	18 03 441 0	4512048534325	TYPE-L CENTER PAD XL9 (standard XL)	40,94	49,95
	950318	18 03 430 0	4512048534332	TYPE-L CENTER PAD XS13	40,94	49,95
	950319	18 03 428 0	4512048534349	TYPE-L CENTER PAD XS5	40,94	49,95
	950320	18 03 429 0	4512048534356	TYPE-L CENTER PAD XS9 (standard XS)	40,94	49,95
	950321	18 03 445 0	4512048534363	TYPE-L CHEEK PAD 31 (con NOISE ISOLATOR PELLE)	49,14	59,95
	950322	18 03 446 0	4512048534370	TYPE-L CHEEK PAD 35 (con NOISE ISOLATOR PELLE)	49,14	59,95
	950323	18 03 447 0	4512048534387	TYPE-L CHEEK PAD 39 (con NOISE ISOLATOR PELLE)	49,14	59,95
	950324	18 03 449 0	4512048534394	TYPE-LB CHEEK PAD 31 (con NOISE ISOLATOR MESH)	49,14	59,95
	950325	18 03 450 0	4512048534400	TYPE-LB CHEEK PAD 35 (con NOISE ISOLATOR MESH)	49,14	59,95
	950326	18 03 451 0	4512048534417	TYPE-LB CHEEK PAD 39 (con NOISE ISOLATOR MESH)	49,14	59,95
	950327	18 03 452 0	4512048534424	TYPE-LA CHEEK PAD 31 (senza NOISE ISOLATOR)	49,14	59,95
	950328	18 03 453 0	4512048534431	TYPE-LA CHEEK PAD 35 (senza NOISE ISOLATOR)	49,14	59,95
	950329	18 03 454 0	4512048534448	TYPE-LA CHEEK PAD 39 (senza NOISE ISOLATOR)	49,14	59,95
	950222	18 03 339 0	4512048409913	EAR PAD C	10,05	12,26
	950330	18 03 455 0	4512048534455	NEOTEC2 CHINSTRAP COVER	8,74	10,66

RICAMBI NEOTEC II

	CODICE	Codice SD	Codice JAN	DESCRIZIONE	€ IVA esclusa	€ IVA INCLUSA
RICAMBI	911167	18 09 355 0	4512048534462	NEOTEC2 TOP AIR OUTLET M.ANTHRACITE	19,63	23,95
	911168	18 09 356 0	4512048534479	NEOTEC2 TOP AIR OUTLET BLACK	19,63	23,95
	911169	18 09 357 0	4512048534486	NEOTEC2 TOP AIR OUTLET L.SILVER	19,63	23,95
	911170	18 09 358 0	4512048534493	NEOTEC2 TOP AIR OUTLET MT.BLUE.M	19,63	23,95
	911171	18 09 359 0	4512048534509	NEOTEC2 TOP AIR OUTLET MT.BLACK	19,63	23,95
	911172	18 09 360 0	4512048534516	NEOTEC2 TOP AIR OUTLET MT.D.GREY	19,63	23,95
	911173	18 09 361 0	4512048534523	NEOTEC2 TOP AIR OUTLET WHITE	19,63	23,95
	911174	18 09 362 0	4512048534530	NEOTEC2 TOP AIR OUTLET W.RED	19,63	23,95
	911367	18 09 379 0	4512048779887	NEO2 TOP AIR OUTLET BLUE M.	19,63	23,95
	911175	18 09 363 0	4512048534547	NEOTEC2 UPPER AIR INTAKE M.ANTHRACITE	32,75	39,95
	911176	18 09 364 0	4512048534554	NEOTEC2 UPPER AIR INTAKE BLACK	32,75	39,95
	911177	18 09 365 0	4512048534561	NEOTEC2 UPPER AIR INTAKE L.SILVER	32,75	39,95
	911178	18 09 366 0	4512048534578	NEOTEC2 UPPER AIR INTAKE MT.BLUE.M	32,75	39,95
	911179	18 09 367 0	4512048534585	NEOTEC2 UPPER AIR INTAKE MT.BLACK	32,75	39,95
	911180	18 09 368 0	4512048534592	NEOTEC2 UPPER AIR INTAKE MT.D.GREY	32,75	39,95
	911181	18 09 369 0	4512048534608	NEOTEC2 UPPER AIR INTAKE WHITE	32,75	39,95
	911182	18 09 370 0	4512048534615	NEOTEC2 UPPER AIR INTAKE W.RED	32,75	39,95
	911366	18 09 377 0	4512048545963	NEO2 UPPER AIR INTAKE MT. L. SILVER	32,75	39,95
	911312	18 09 378 0	4512048767303	NEO2 UPPER AIR INTAKE WHITE/ BLACK (EXC. TC-6)	32,75	39,95
	911368	18 09 380 0	4512048779894	NEO2 UPPER AIR INTAKE BLUE M.	32,75	39,95
	911183	18 00 488 0	4512048534189	NEOTEC2 BATTERY SPACE COVER	8,74	10,66
	911184	18 00 489 0	4512048534196	NEOTEC2 INTERCOM BASE COVER	8,44	10,30
	910931	18 00 477 0	4512048533892	MICRO RATCHET RUBBER COVER	4,22	5,15

RICAMBI X-SPIRIT III



	CODICE	Codice SD	Codice JAN	DESCRIZIONE	€ IVA esclusa	€ IVA INCLUSA
VISIERE	900076	17 26 000 0	4512048492526	CWR-F CLEAR	102,47	125,01
	900077	17 26 001 0	4512048492533	CWR-F MELLOW SMOKE	102,47	125,01
	900078	17 26 003 0	4512048492427	CWR-F DARK SMOKE	102,47	125,01
	900079	17 26 008 0	4512048492434	CWR-F HIGH DEFINITION YELLOW	102,47	125,01
	960023	19 03 006 0	4512048306465	CWF-1 TEAR OFF FILM CLEAR (ANCHE PER CWR-F)	13,74	16,76
	900080	17 34 000 0	4512048497446	CWR-F EVO PINLOCK SHEET CLEAR	38,20	46,60
	900056	17 20 003 1	4512048410452	CWR-1 PN DARK SMOKE (NO TEAR OFF)	59,90	73,08
	900057	17 20 007 1	4512048410469	CWR-1 PN HIGH-DEFINITION ORANGE (NO TEAR OFF)	61,10	74,54
	900058	17 20 011 1	4512048410476	CWR-1 PN HIGH-DEFINITION YELLOW (NO TEAR OFF)	59,90	73,08
	900059	17 20 005 1	4512048410490	CWR-1 PN SPECTRA BLUE (NO TEAR OFF)	94,64	115,46
	900060	17 20 006 1	4512048410506	CWR-1 PN SPECTRA GOLD (NO TEAR OFF)	94,64	112,10
	900061	17 20 010 1	4512048410513	CWR-1 PN SPECTRA FIRE ORANGE (NO TEAR OFF)	94,64	115,46
	900062	17 20 004 1	4512048410483	CWR-1 PN SPECTRA SILVER (NO TEAR OFF)	94,64	115,46

RICAMBI X-SPIRIT III

	CODICE	Codice SD	Codice JAN	DESCRIZIONE	€ IVA esclusa	€ IVA INCLUSA
VISIERE	900063	17 20 000 1	4512048410407	CWR-1 PN CLEAR (NO TEAR OFF)	59,90	73,08
	900064	17 20 001 1	4512048410421	CWR-1 PN MELLOW SMOKE (NO TEAR OFF)	59,90	73,08
	900074	17 20 012 1	4512048521004	CWR-1 PN PHOTOCROMIC (NO TEAR OFF)	122,13	149,00
	900050	17 28 000 0	4512048493042	CWR - CW1 - CNS - CNS3 EVO PINLOCK SHEET	38,20	46,60
BASI MECCANISMO	911092	18 02 157 0	4512048409722	QR-E BASE SET	22,16	27,04
	910666	18 02 140 0	4512048302986	QRSA SCREW	10,05	12,26
ACCESSORI	960019	19 02 016 0	4512048303594	CHIN CURTAIN D	21,70	26,47
	960030	19 01 015 0	4512048509156	BREATH GUARD J	18,87	23,02
	960031	19 02 021 0	4512048509149	LOWER AIR SPOILER	18,87	23,02
	960032	18 09 322 0	4512048509125	REAR FLAP WIDE (STANDARD)	22,16	27,04
	960033	18 09 323 0	4512048509132	REAR FLAP NARROW	22,16	27,04
	980110	19 04 005 0	4512048509170	X-SPIRIT III HELMET BAG	19,57	23,88
IMBOTTITURE	950237	18 03 398 0	4512048508326	EARPAD D	8,74	10,66
	950238	18 03 399 0	4512048508333	X-SPIRIT3 CHINSTRAP COVER	12,93	15,77
	950239	18 03 360 0	4512048507961	TYPE-I CHEEKPAD 31	63,73	77,75
	950240	18 03 361 0	4512048507954	TYPE-I CHEEKPAD 35	63,73	77,75
	950241	18 03 362 0	4512048507947	TYPE-I CHEEKPAD 39	63,73	77,75
	950242	18 03 359 0	4512048507930	TYPE-I CHEEKPAD 43	63,73	77,75
	950243	18 03 363 0	4512048507978	TYPE-I CENTERPAD SET S (ANCHE PER XS)	64,59	78,80
	950244	18 03 364 0	4512048507985	TYPE-I CENTERPAD SET M9	64,59	78,80
	950245	18 03 365 0	4512048507992	TYPE-I CENTERPAD SET L9	64,59	78,80
	950246	18 03 366 0	4512048508005	TYPE-I CENTERPAD SET XL9	64,59	78,80
	950247	18 03 367 0	4512048508012	TYPE-I CENTERPAD SET XXL	64,59	78,80
	950416	18 03 422 0	4,51205E+12	TYPE-I CENTERPAD TOP SET S5	64,59	78,8
	950259	18 03 368 0	4512048508029	TYPE-I CENTERPAD TOP XS-S-M S13	24,11	29,41
	950260	18 03 369 0	4512048508036	TYPE-I CENTERPAD TOP XS-S-M S9	24,11	29,41
	950261	18 03 370 0	4512048508043	TYPE-I CENTERPAD TOP L-XL-XXL L13	24,11	29,41
	950262	18 03 371 0	4512048508050	TYPE-I CENTERPAD TOP L-XL-XXL L9	24,11	29,41
	950263	18 03 372 0	4512048508067	TYPE-I CENTERPAD SIDE S13	16,36	19,96

	CODICE	Codice SD	Codice JAN	DESCRIZIONE	€ IVA esclusa	€ IVA INCLUSA	
IMBOTTITURE	950264	18 03 373 0	4512048508074	TYPE-I CENTERPAD SIDE S9	16,36	19,96	
	950265	18 03 374 0	4512048508081	TYPE-I CENTERPAD SIDE S5	16,36	19,96	
	950266	18 03 375 0	4512048508098	TYPE-I CENTERPAD SIDE L13	16,36	19,96	
	950267	18 03 376 0	4512048508104	TYPE-I CENTERPAD SIDE L9	16,36	19,96	
	950268	18 03 377 0	4512048508111	TYPE-I CENTERPAD SIDE L5	16,36	19,96	
	950269	18 03 379 0	4512048508135	TYPE-I CENTERPAD FRONT S9	12,06	14,71	
	950270	18 03 382 0	4512048508166	TYPE-I CENTERPAD FRONT L9	12,06	14,71	
	950271	18 03 383 0	4512048508173	TYPE-I CENTERPAD FRONT L5	12,06	14,71	
	950272	18 03 384 0	4512048508180	TYPE-I CENTERPAD REAR S13	10,34	12,61	
	950273	18 03 385 0	4512048508197	TYPE-I CENTERPAD REAR S9	10,34	12,61	
	950274	18 03 386 0	4512048508203	TYPE-I CENTERPAD REAR S5	10,34	12,61	
	950275	18 03 387 0	4512048508210	TYPE-I CENTERPAD REAR L13	10,34	12,61	
	950276	18 03 388 0	4512048508227	TYPE-I CENTERPAD REAR L9	10,34	12,61	
	950277	18 03 389 0	4512048508234	TYPE-I CENTERPAD REAR L5	10,34	12,61	
	950278	18 03 390 0	4512048508241	TYPE-I NECKPAD S9	16,36	19,96	
	950279	18 03 391 0	4512048508258	TYPE-I NECKPAD S13	16,36	19,96	
	950280	18 03 392 0	4512048508265	TYPE-I NECKPAD M9	16,36	19,96	
	950281	18 03 393 0	4512048508272	TYPE-I NECKPAD M13	16,36	19,96	
	950282	18 03 394 0	4512048508289	TYPE-I NECKPAD L9	16,36	19,96	
	950283	18 03 395 0	4512048508296	TYPE-I NECKPAD L13	16,36	19,96	
	950284	18 03 396 0	4512048508302	TYPE-I NECKPAD XL9	16,36	19,96	
	950285	18 03 397 0	4512048508319	TYPE-I NECKPAD XL13	16,36	19,96	
	RICAMBI	911128	18 08 411 0	4512048509095	X-SPR3/14 UPPER AIR INTAKE WHITE	22,91	27,95
		911129	18 08 410 0	4512048509071	X-SPR3/14 UPPER AIR INTAKE BLACK	22,91	27,95
		911130	18 08 412 0	4512048509088	X-SPR3/14 UPPER AIR INTAKE MT BLACK	22,91	27,95
911280		18 08 413 0	4512048510565	X-SPR3/14 UPPER AIR INTAKE ASSAIL TC-1	40,52	49,43	
911281		18 08 414 0	4512048510572	X-SPR3/14 UPPER AIR INTAKE ASSAIL TC-2	40,52	49,43	
911283		18 08 415 0	4512048510589	X-SPR3/14 UPPER AIR INTAKE ASSAIL TC-10	40,52	49,43	

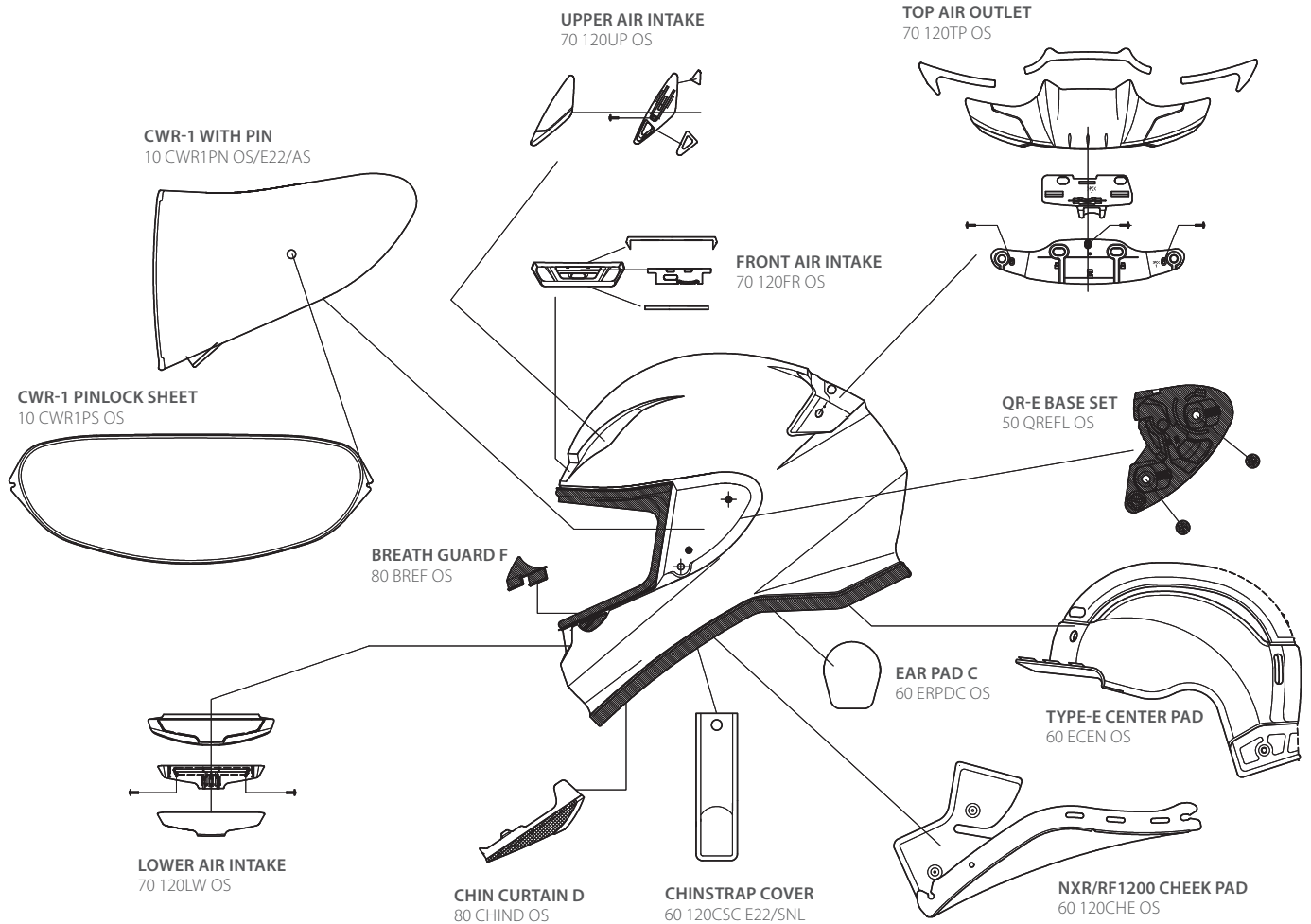
RICAMBI X-SPIRIT III

	CODICE	Codice SD	Codice JAN	DESCRIZIONE	€ IVA esclusa	€ IVA INCLUSA
RICAMBI	911284	18 08 416 0	4512048510596	X-SPR3/14 UPPER AIR INTAKE BRADLEY3 TC-1	40,52	49,43
	911285	18 08 417 0	4512048510602	X-SPR3/14 UPPER AIR INTAKE MARQUEZ4 TC-1	40,52	49,43
	911286	18 08 418 0	4512048517823	X-SPR3/14 UPPER AIR INTAKE MARQUEZ4 TC-6	40,52	49,43
	911287	18 08 441 0	4512048540821	X-SPR3/14 UPPER AIR INTAKE MARQUEZ5 TC-1	40,52	49,43
	911288	18 08 446 0	4512048767211	X-SPR3/14 UPPER AIR INTAKE MARQUEZ AMERICA TC2	40,52	49,43
	911289	18 08 435 0	4512048522445	X-SPR3/14 UPPER AIR INTAKE MARQUEZ MOTEGI2 TC-1	40,52	49,43
	911290	18 08 445 0	4512048551421	X-SPR3/14 UPPER AIR INTAKE MARQUEZ MOTEGI3 TC-2	40,52	49,43
	911291	18 08 443 0	4512048545932	X-SPR3/14 UPPER AIR INTAKE MARQUEZ BLK CONCEPT TC-1	40,52	49,43
	911292	18 08 419 0	4512048520847	X-SPR3/14 UPPER AIR INTAKE LAVERTY TC-4	40,52	49,43
	911293	18 08 420 0	4512048519971	X-SPR3/14 UPPER AIR INTAKE KAGAYAMA5 TC5	40,52	49,43
	911294	18 08 436 0	4512048535988	X-SPR3/14 UPPER AIR INTAKE BRINK TC-1	40,52	49,43
	911295	18 08 437 0	4512048535995	X-SPR3/14 UPPER AIR INTAKE BRINK TC-2	40,52	49,43
	911296	18 08 438 0	4512048536008	X-SPR3/14 UPPER AIR INTAKE BRINK TC-5	40,52	49,43
	911297	18 08 439 0	4512048536015	X-SPR3/14 UPPER AIR INTAKE BRINK TC-10	40,52	49,43
	911298	18 08 440 0	4512048536145	X-SPR3/14 UPPER AIR INTAKE DE ANGELIS TC-1	40,52	49,43
	911299	18 08 444 0	4512048545949	X-SPR3/14 UPPER AIR INTAKE DAIJIRO TC-1	40,52	49,43
	911300	18 08 442 0	4512048546038	X-SPR3/14 UPPER AIR INTAKE POWER RUSH TC-8	40,52	49,43
	911356	18 08 447 0	4512048767266	X-SPR.3 AIRSCOOP AERODYNE TC-1	40,94	49,95
	911357	18 08 448 0	4512048767273	X-SPR.3 AIRSCOOP AERODYNE TC-2	40,94	49,95
	911358	18 08 449 0	4512048767280	X-SPR.3 AIRSCOOP AERODYNE TC-4	40,94	49,95
	911359	18 08 450 0	4512048772734	X-SPR.3 AIRSCOOP AERODYNE TC-3	40,94	49,95
	911360	18 08 451 0	4512048772741	X-SPR.3 AIRSCOOP MM93 BLACK CONCEPT 2.0 TC-1	40,94	49,95
	911361	18 08 452 0	4512048777814	X-SPR.3 FRONT AIR INTAKE MT. RAD. BLUE	16,35	19,95
	911362	18 08 453 0	4512048777821	X-SPR.3 AIRSCOOP AM73 TC-2	40,94	49,95
	911363	18 08 504 0	4512048784065	X-SPR.3 AIRSCOOP MARQUEZ6 TC-1	40,94	49,95
	911364	18 08 505 0	4512048791674	X-SPR.3 AIRSCOOP KUJAKU TC-10	40,94	49,95
	911365	18 08 506 0	4512048791667	X-SPR.3 AIRSCOOP KUJAKU TC-5	40,94	49,95
	911131	18 08 401 0	4512048509064	X-SPR3/14 FRONT AIR INTAKE WHITE	12,06	14,71

	CODICE	Codice SD	Codice JAN	DESCRIZIONE	€ IVA esclusa	€ IVA INCLUSA
RICAMBI	911132	18 08 400 0	4512048509040	X-SPR3/14 FRONT AIR INTAKE BLACK	12,06	14,71
	911133	18 08 402 0	4512048509057	X-SPR3/14 FRONT AIR INTAKE MT BLACK	12,06	14,71
	911134	18 07 222 0	4512048509002	X-SPR3/14 LOWER AIR INTAKE WHITE	24,55	29,95
	911135	18 07 221 0	4512048508982	X-SPR3/14 LOWER AIR INTAKE BLACK	24,55	29,95
	911136	18 07 223 0	4512048508999	X-SPR3/14 LOWER AIR INTAKE MT BLACK	24,55	29,95
	911137	18 09 331 0	4512048509033	X-SPR3/14 REAR STABILIZER WHITE	77,52	94,57
	911138	18 09 330 0	4512048509019	X-SPR3/14 REAR STABILIZER BLACK	77,52	94,57
	911139	18 09 332 0	4512048509026	X-SPR3/14 REAR STABILIZER MT BLACK	77,52	94,57
	911162	18 09 335 0	4512048510527	X-SPR3/14 REAR STABILIZER ASSAIL TC-10	92,02	112,26
	911163	18 09 334 0	4512048510510	X-SPR3/14 REAR STABILIZER ASSAIL TC-2	92,02	112,26
	911164	18 09 333 0	4512048510503	X-SPR3/14 REAR STABILIZER ASSAIL TC-1	92,02	112,26
	911158	18 09 339 0	4512048519889	X-SPR3/14 REAR STABILIZER LAVERTY TC-4	108,91	132,87
	911157	18 09 345 0	4512048519452	X-SPR3/14 REAR STABILIZER KAGAYAMA TC-5	108,91	132,87
	911159	18 09 337 0	4512048510541	X-SPR3/14 REAR STABILIZER MARQUEZ4 TC-1	108,91	132,87
	911160	18 09 338 0	4512048517816	X-SPR3/14 REAR STABILIZER MARQUEZ4 TC-6	108,91	132,87
	911161	18 09 336 0	4512048510534	X-SPR3/14 REAR STABILIZER BRADLEY3 TC-1	108,91	132,87
	911301	18 09 376 0	4512048540814	X-SPR3/14 REAR STABILIZER MARQUEZ5 TC-1	108,91	132,87
	911302	18 09 404 0	4512048562007	X-SPR3/14 REAR STABILIZER MARQUEZ AMERICA TC-2	108,91	132,87
	911209	18 09 346 0	4512048522438	X-SPR3/14 REAR STABILIZER MARQUEZ MOTEGI2 TC-1	108,91	132,87
	911303	18 09 395 0	4512048551407	X-SPR3/14 REAR STABILIZER MARQUEZ MOTEGI3 TC-2	108,91	132,87
	911304	18 09 393 0	4512048545895	X-SPR3/14 REAR STABILIZER MARQUEZ BLACK CONCEPT TC-1	108,91	132,87
	911305	18 09 392 0	4512048546014	X-SPR3/14 REAR STABILIZER PWR RUSH TC-8	92,02	112,26
	911306	18 09 371 0	4512048535940	X-SPR3/14 REAR STABILIZER BRINK TC-1	92,02	112,26
	911307	18 09 372 0	4512048535957	X-SPR3/14 REAR STABILIZER BRINK TC-2	92,02	112,26
	911308	18 09 373 0	4512048535964	X-SPR3/14 REAR STABILIZER BRINK TC-5	92,02	112,26
	911309	18 09 374 0	4512048535971	X-SPR3/14 REAR STABILIZER BRINK TC-10	92,02	112,26
	911310	18 09 394 0	4512048545901	X-SPR3/14 REAR STABILIZER DAIJIRO TC-1	108,91	132,87
	911374	18 09 411 0	4512048777807	X-SPR.3 REAR STABILIZER AM73 TC-2	92,02	112,26

RICAMBI X-SPIRIT III

	CODICE	Codice SD	Codice JAN	DESCRIZIONE	€ IVA esclusa	€ IVA INCLUSA
RICAMBI	911382	18 09 420 0	4512048784058	X-SPR.3 REAR STABILIZER MARQUEZ6 TC-1	92,02	112,26
	911383	18 09 422 0	4512048791650	X-SPR.3 REAR STABILIZER KUJAKU TC-10	92,02	112,26
	911384	18 09 423 0	4512048791643	X-SPR.3 REAR STABILIZER KUJAKU TC-5	92,02	112,26
	911140	18 09 320 0	4512048509101	X-SPR3/14 TOP AIR OUTLET	17,22	21,01
	911141	18 09 321 0	4512048509118	X-SPR3/14 SIDE AIR OUTLET	18,94	23,11
	960033	18 09 323 0	4512048509132	X-SPR3/14 REAR FLAP NARROW	22,16	27,04
	960032	18 09 322 0	4512048509125	X-SPR3/14 REAR FLAP WIDE	22,16	27,04



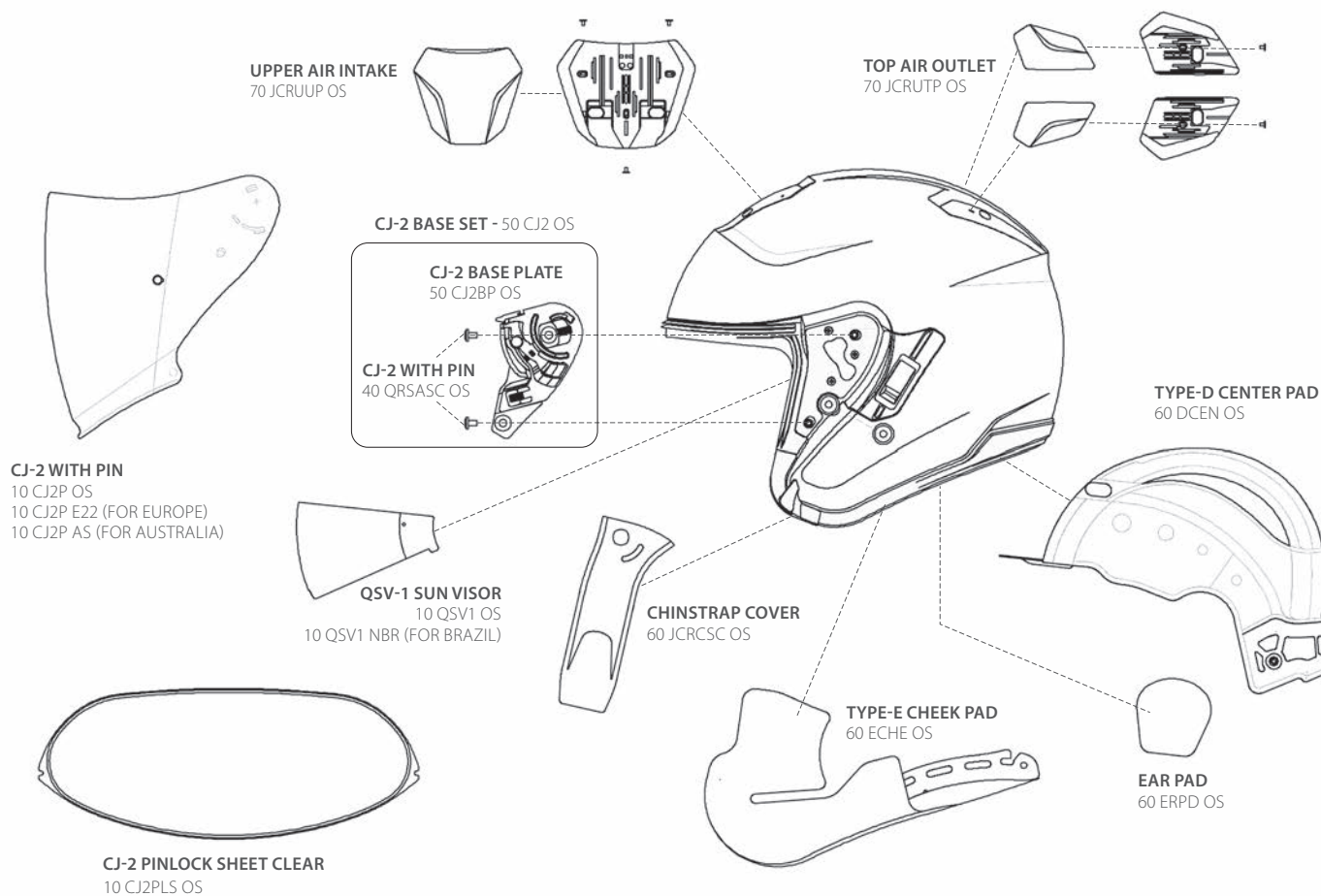
	CODICE	Codice SD	Codice JAN	DESCRIZIONE	€ IVA esclusa	€ IVA INCLUSA
VISIERE	900050	17 28 000 0	4512048493042	CWR - CW1 - CNS - CNS3 EVO PINLOCK SHEET	38,20	46,60
	900063	17 20 000 1	4512048410407	CWR-1 PN CLEAR	59,90	73,08
	900064	17 20 001 1	4512048410421	CWR-1 PN MELLOW SMOKE	59,90	73,08
	900056	17 20 003 1	4512048410452	CWR-1 PN DARK SMOKE	59,90	73,08
	900057	17 20 007 1	4512048410469	CWR-1 PN HIGH-DEFINITION ORANGE	61,10	74,54
	900058	17 20 011 1	4512048410476	CWR-1 PN HIGH-DEFINITION YELLOW	58,16	70,96
	900059	17 20 005 1	4512048410490	CWR-1 PN SPECTRA BLUE	94,64	115,46
	900060	17 20 006 1	4512048410506	CWR-1 PN SPECTRA GOLD	94,64	115,46
	900061	17 20 010 1	4512048410513	CWR-1 PN SPECTRA FIRE ORANGE	94,64	115,46
	900062	17 20 004 1	4512048410483	CWR-1 PN SPECTRA SILVER	94,64	115,46
	900074	17 20 012 1	4512048521004	CWR-1 PN PHOTOCHROMIC	122,13	149,00

RICAMBI NXR

	CODICE	Codice SD	Codice JAN	DESCRIZIONE	€ IVA esclusa	€ IVA INCLUSA	
BASI MECCANISMO	911092	18 02 157 0	4512048409722	QR-E BASE set	22,16	27,04	
	910666	18 02 140 0	4512048302986	QRSA SCREW	10,05	12,26	
ACCESSORI	960018	19 01 010 0	4512048303587	BREATH GUARD F	18,87	23,02	
	960019	19 02 016 0	4512048303594	CHIN CURTAIN D	21,70	26,47	
IMBOTTITURE	950205	18 03 320 0	4512048409746	TYPE-E CENTER PAD S17	43,07	52,55	
	950206	18 03 321 0	4512048409753	TYPE-E CENTER PAD S13	43,07	52,55	
	950207	18 03 322 0	4512048409760	TYPE-E CENTER PAD S9	43,07	52,55	
	950208	18 03 325 0	4512048409791	TYPE-E CENTER PAD M9	43,07	52,55	
	950209	18 03 328 0	4512048409821	TYPE-E CENTER PAD L9	43,07	52,55	
	950210	18 03 331 0	4512048409852	TYPE-E CENTER PAD XL9	43,07	52,55	
	950211	18 03 332 0	4512048409869	TYPE-E CENTER PAD XL5	43,07	52,55	
	950218	18 03 335 0	4512048409906	NXR/RF-1200 CHEEK PAD 31	46,01	56,13	
	950219	18 03 336 0	4512048409890	NXR/RF-1200 CHEEK PAD 35	46,01	56,13	
	950220	18 03 337 0	4512048409883	NXR/RF-1200 CHEEK PAD 39	46,01	56,13	
	950221	18 03 338 0	4512048409876	NXR/RF-1200 CHEEK PAD 43	46,01	56,13	
	950222	18 03 339 0	4512048409913	EAR PAD C	10,05	12,26	
	950223	18 03 340 0	4512048409920	NXR CHINSTRAP COVER	12,60	15,37	
	RICAMBI	911067	18 08 370 0	4512048409944	NXR/RF1200 FRONT AIR INTAKE BLACK	15,41	18,80
		911068	18 08 372 0	4512048410001	NXR/RF1200 FRONT AIR INTAKE MT.BLACK	15,41	18,80
911069		18 08 373 0	4512048410018	NXR/RF1200 FRONT AIR INTAKE MT.D.GREY	15,41	18,80	
911070		18 08 374 0	4512048410025	NXR/RF1200 FRONT AIR INTAKE P.GREY	15,41	18,80	
911071		18 08 375 0	4512048410032	NXR/RF1200 FRONT AIR INTAKE S.RED	15,41	18,80	
911072		18 08 371 0	4512048409968	NXR/RF1200 FRONT AIR INTAKE WHITE	15,41	18,80	
911355		18 08 423 0	4512048517144	NXR FRONT AIR INTAKE MT. WHT/WHT	16,35	19,95	
911073		18 08 376 0	4512048410056	NXR/RF1200 UPPER AIR INTAKE BLACK	18,49	22,56	
911074		18 08 378 0	4512048410117	NXR/RF1200 UPPER AIR INTAKE MT.BLACK	18,49	22,56	
911075		18 08 379 0	4512048410124	NXR/RF1200 UPPER AIR INTAKE MT.D.GREY	18,49	22,56	
911076		18 08 380 0	4512048410131	NXR/RF1200 UPPER AIR INTAKE P.GREY	18,49	22,56	

	CODICE	Codice SD	Codice JAN	DESCRIZIONE	€ IVA esclusa	€ IVA INCLUSA
RICAMBI	911077	18 08 381 0	4512048410148	NXR/RF1200 UPPER AIR INTAKE S.RED	18,49	22,56
	911078	18 08 377 0	4512048410070	NXR/RF1200 UPPER AIR INTAKE WHITE	18,49	22,56
	911233	18 08 426 0	4512048517175	NXR UPPER AIR INTAKE MT. WHT	18,49	22,56
	911079	18 09 290 0	4512048410162	NXR/RF1200 TOP AIR OUTLET BLACK	22,16	27,04
	911080	18 09 293 0	4512048410223	NXR/RF1200 TOP AIR OUTLET MT.BLACK	22,16	27,04
	911081	18 09 294 0	4512048410230	NXR/RF1200 TOP AIR OUTLET MT.D.GREY	22,16	27,04
	911082	18 09 295 0	4512048410247	NXR/RF1200 TOP AIR OUTLET P.GREY	22,16	27,04
	911083	18 09 292 0	4512048410278	NXR/RF1200 TOP AIR OUTLET SMOKE	22,16	27,04
	911084	18 09 296 0	4512048410254	NXR/RF1200 TOP AIR OUTLET S.RED	22,16	27,04
	911085	18 09 291 0	4512048410186	NXR/RF1200 TOP AIR OUTLET WHITE	22,16	27,04
	911086	18 07 200 0	4512048410285	NXR/RF1200 LOWER AIR INTAKE BLACK	24,55	29,95
	911087	18 07 202 0	4512048410346	NXR/RF1200 LOWER AIR INTAKE MT.BLACK	24,55	29,95
	911088	18 07 203 0	4512048410353	NXR/RF1200 LOWER AIR INTAKE MT.D.GREY	24,55	29,95
	911089	18 07 204 0	4512048410360	NXR/RF1200 LOWER AIR INTAKE P.GREY	24,55	29,95
	911090	18 07 205 0	4512048410377	NXR/RF1200 LOWER AIR INTAKE S.RED	24,55	29,95
	911091	18 07 201 0	4512048410308	NXR/RF1200 LOWER AIR INTAKE WHITE	24,55	29,95
	911210	18 07 231 0	4512048517151	NXR LOWER AIR INTAKE MT. WHITE	24,55	29,95

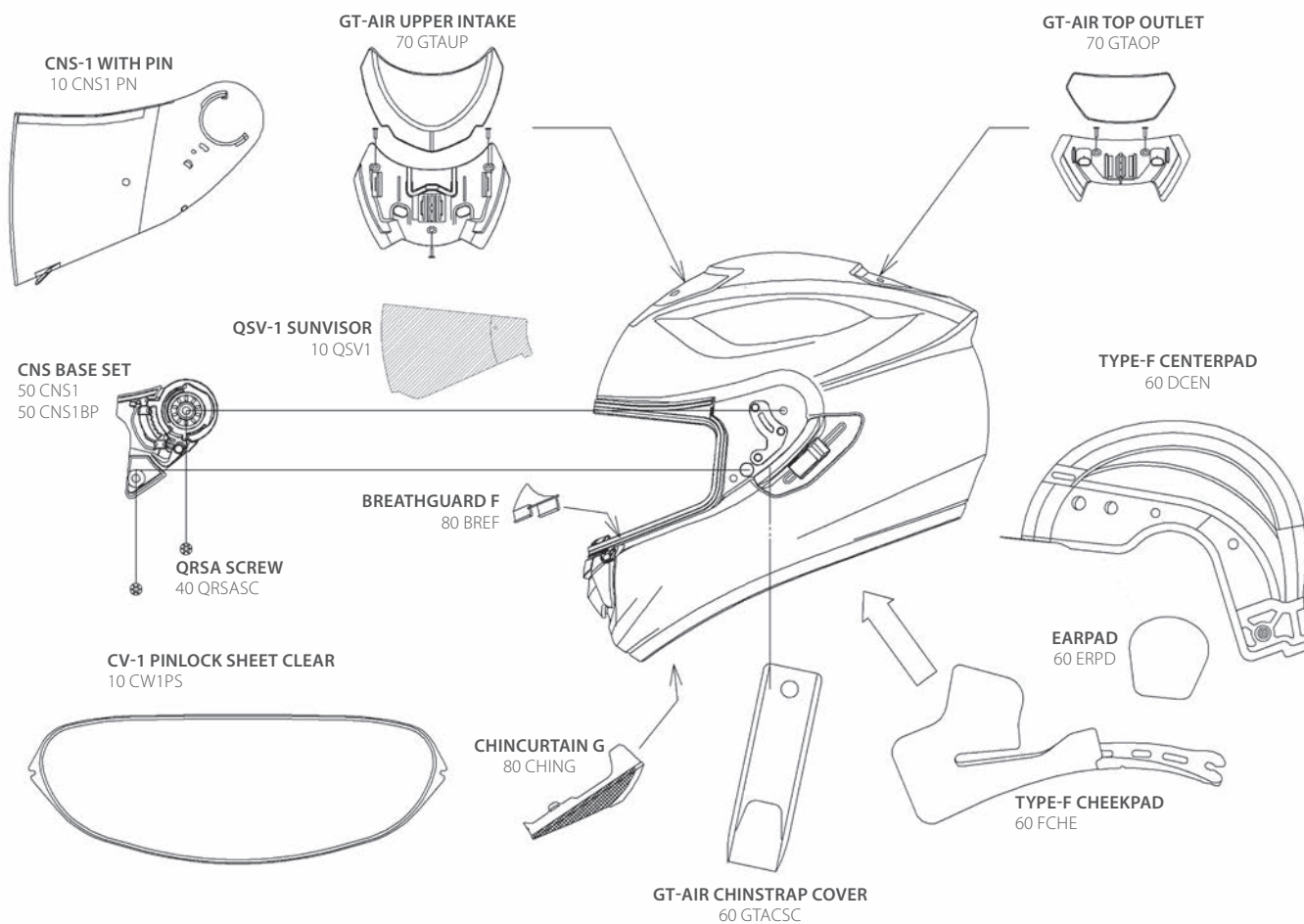
RICAMBI J-CRUISE



	CODICE	Codice SD	Codice JAN	DESCRIZIONE	€ IVA esclusa	€ IVA INCLUSA
VISIERE	900054	17 22 000 1	4512048370541	CJ-2 WITH PIN CLEAR	81,93	99,95
	910908	18 20 000 0	4512048356668	QSV-1 SUN VISOR DARK	33,00	40,26
	900055	17 32 000 0	4512048493059	CJ-2 PINLOCK SHEET	42,76	52,17
	911166	18 20 001 0	4512048520984	QSV-1 SUN VISOR HIGH DEFINITION YELLOW	33,00	40,26
BASI MECCANISMO	910974	18 02 206 0	4512048552275	CJ-2 BASE SET	22,16	27,04
	910666	18 02 140 0	4512048302986	QRSA SCREW	10,05	12,26
IMBOTTITURE	950164	18 03 280 0	4512048378554	TYPE-D CENTER PAD S13 (J- CRUISE)	43,07	52,55
	950165	18 03 281 0	4512048378561	TYPE-D CENTER PAD S9 (J-CRUISE)	43,07	52,55
	950168	18 03 284 0	4512048378592	TYPE-D CENTER PAD M9 (J CRUISE)	43,07	52,55
	950171	18 03 287 0	4512048378622	TYPE-D CENTER PAD L9 (J CRUISE)	43,07	52,55
	950173	18 03 289 0	4512048378646	TYPE-D CENTER PAD XL13 (J CRUISE)	43,07	52,55
	950175	18 03 291 0	4512048378660	TYPE-D CENTER PAD XL5 (J-CRUISE)	43,07	52,55
	950174	18 03 290 0	4512048378653	TYPE-D CENTER PAD XL9 (J CRUISE)	43,07	52,55

	CODICE	Codice SD	Codice JAN	DESCRIZIONE	€ IVA esclusa	€ IVA INCLUSA
IMBOTTITURE	950176	18 03 302 0	4512048378677	TYPE-E CHEEK PAD 39 (J-CRUISE)	54,10	66,00
	950177	18 03 301 0	4512048378684	TYPE-E CHEEK PAD 35 (J-CRUISE)	54,10	66,00
	950178	18 03 300 0	4512048378691	TYPE-E CHEEK PAD 31 (J-CRUISE)	54,10	66,00
	950404	18 03 299 0	4512048382841	TYPE-E CHEEK PAD 43 (J-CRUISE)	54,10	66,00
	950179	18 03 303 0	4512048378707	J-CRUISE CHINSTRAP COVER	12,60	15,37
RICAMBI	910989	18 08 360 0	4512048378714	J-CRUISE UPPER AIR INTAKE BLACK	15,41	18,80
	910990	18 08 361 0	4512048378721	J-CRUISE UPPER AIR INTAKE WHITE	15,41	18,80
	910991	18 08 362 0	4512048378738	J-CRUISE UPPER AIR INTAKE BR.YELLOW	15,41	18,80
	910992	18 08 363 0	4512048378745	J-CRUISE UPPER AIR INTAKE L.SILVER	15,41	18,80
	910993	18 08 364 0	4512048378769	J-CRUISE UPPER AIR INTAKE MT.BLACK	15,41	18,80
	910994	18 08 365 0	4512048378776	J-CRUISE UPPER AIR INTAKE MT.D.GREY	15,41	18,80
	910995	18 08 366 0	4512048378783	J-CRUISE UPPER AIR INTAKE S.RED	15,41	18,80
	910996	18 09 280 0	4512048378806	J-CRUISE TOP OUTLET BLACK	17,57	21,44
	910997	18 09 281 0	4512048378813	J-CRUISE TOP OUTLET WHITE	17,57	21,44
	910998	18 09 282 0	4512048378820	J-CRUISE TOP OUTLET BR.YELLOW	17,57	21,44
	910999	18 09 283 0	4512048378837	J-CRUISE TOP OUTLET L. SILVER	17,57	21,44
	911000	18 09 284 0	4512048378851	J-CRUISE TOP OUTLET MT.BLACK	17,57	21,44
	911001	18 09 285 0	4512048378868	J-CRUISE TOP OUTLET MT.D.GREY	17,57	21,44
	911002	18 09 286 0	4512048378875	J-CRUISE TOP OUTLET S.RED	17,57	21,44
	910931	18 00 477 0	4512048533892	MICRO RATCHET RUBBER COVER	4,22	5,15

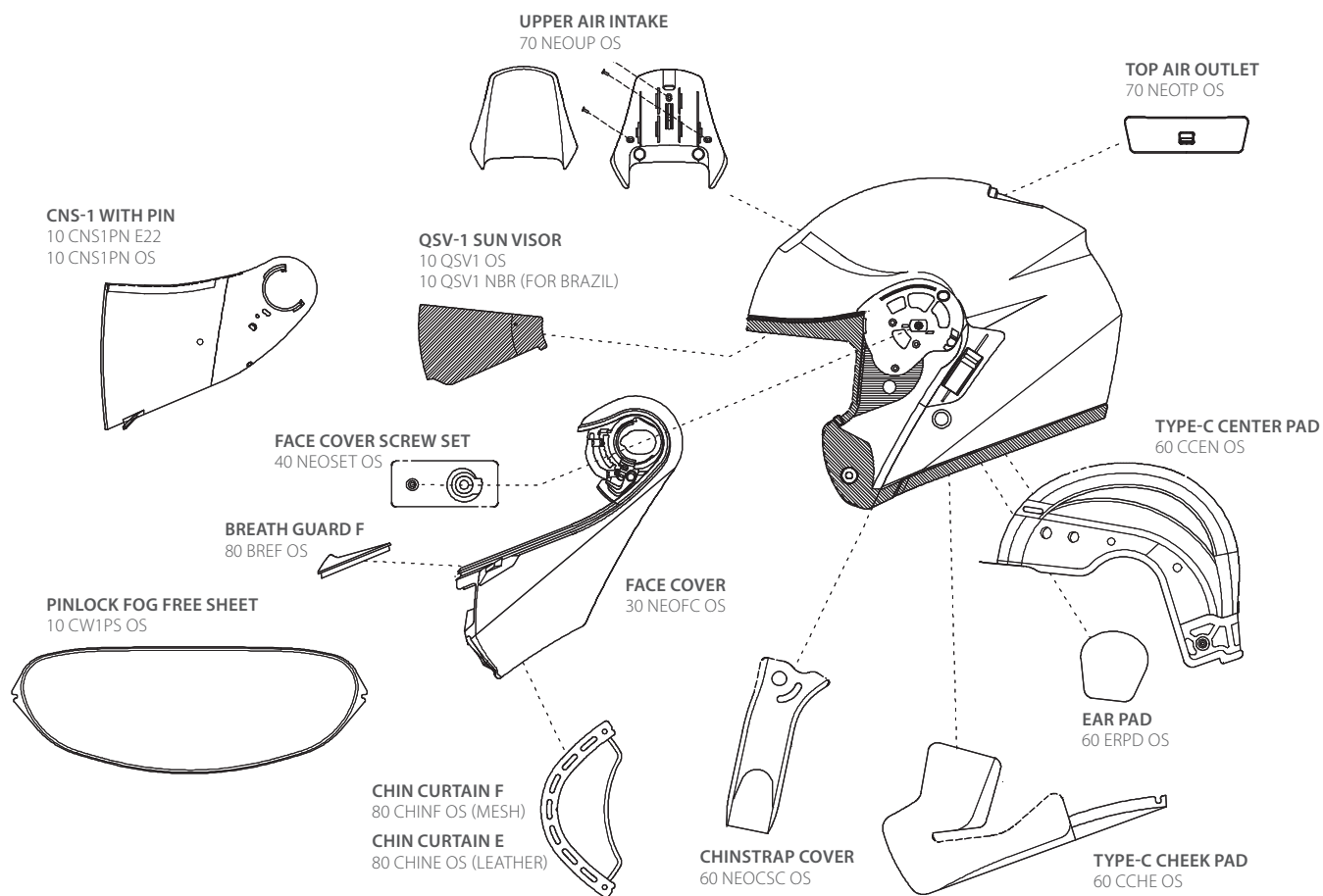
RICAMBI GT-AIR



	CODICE	Codice SD	Codice JAN	DESCRIZIONE	€ IVA esclusa	€ IVA INCLUSA
VISIERE	900052	17 21 000 1	4512048354848	CNS-1 WITH PIN CLEAR	56,43	68,84
	900050	17 28 000 0	4512048493042	CWR - CW1 - CNS - CNS3 EVO PINLOCK SHEET	38,20	46,60
	910908	18 20 000 0	4512048356668	QSV-1 SUN VISOR DARK	32,04	39,09
	911166	18 20 001 0	4512048520984	QSV-1 SUN VISOR HIGH DEFINITION YELLOW	33,00	40,26
BASI MECCANISMO	910947	18 02 159 0	4512048380229	CNS-1 BASE SET	25,48	31,10
	910666	18 02 140 0	4512048302986	QRSASCREW	10,05	12,26
ACCESSORI	960028	19 02 020 0	4512048380557	CHIN CURTAIN G	18,32	22,35
	960018	19 01 010 0	4512048303587	BREATH GUARD F	18,87	23,02
IMBOTTITURE	950180	18 03 292 0	4512048380243	TYPE F CHEEK PAD 31 (GT-AIR)	54,10	66,00
	950181	18 03 293 0	4512048380250	TYPE F CHEEK PAD 35 (GT-AIR)	54,10	66,00
	950182	18 03 294 0	4512048380267	TYPE F CHEEK PAD 39 (GT-AIR)	54,10	66,00
	950286	18 03 296 0	4512048383008	TYPE-F CHEEK PAD 43	54,10	66,00
	950185	18 03 309 0	4512048381882	TYPE-F CENTER PAD S13 (GT-AIR)	43,07	52,55

	CODICE	Codice SD	Codice JAN	DESCRIZIONE	€ IVA esclusa	€ IVA INCLUSA
IMBOTTITURE	950186	18 03 308 0	4512048381899	TYPE-F CENTER PAD S9 (GT-AIR)	43,07	52,55
	950189	18 03 311 0	4512048381929	TYPE-F CENTER PAD M9 (GT-AIR)	43,07	52,55
	950192	18 03 314 0	4512048381950	TYPE-F CENTER PAD L9 (GT-AIR)	43,07	52,55
	950195	18 03 317 0	4512048381981	TYPE-F CENTER PAD XL9 (GT-AIR)	43,07	52,55
	950196	18 03 316 0	4512048381998	TYPE-F CENTER PAD XL5 (GT-AIR)	43,07	52,55
	950183	18 03 295 0	4512048380274	GT-AIR CHINSTRAP COVER	12,60	15,37
	950141	18 03 272 0	4512048356934	EARPAD	8,74	10,66
RICAMBI	911048	18 09 270 0	4512048380380	GT-AIR TOP OUTLET BLACK	18,49	22,56
	911049	18 09 273 0	4512048380397	GT-AIR TOP OUTLET BR.YELLOW	17,57	21,44
	911050	18 09 274 0	4512048380403	GT-AIR TOP OUTLET L.SILVER	18,49	22,56
	911051	18 09 275 0	4512048380410	GT-AIR TOP OUTLET MT.BLACK	18,49	22,56
	911052	18 09 276 0	4512048380427	GT-AIR TOP OUTLET MT.D.GREY	18,49	22,56
	911053	18 09 277 0	4512048380434	GT-AIR TOP OUTLET S.RED	18,49	22,56
	911054	18 09 272 0	4512048380441	GT-AIR TOP OUTLET WHITE/SMOKE	18,49	22,56
	911055	18 09 271 0	4512048380458	GT-AIR TOP OUTLET WHITE	18,49	22,56
	911057	18 08 350 0	4512048380472	GT-AIR UPPER AIR INTAKE BLACK	15,41	18,80
	911058	18 08 353 0	4512048380489	GT-AIR UPPER AIR INTAKE BR.YELLOW	15,41	18,80
	911059	18 08 354 0	4512048380496	GT-AIR UPPER AIR INTAKE L.SILVER	15,41	18,80
	911060	18 08 355 0	4512048380502	GT-AIR UPPER AIR INTAKE MT.BLACK	15,41	18,80
	911061	18 08 356 0	4512048380519	GT-AIR UPPER AIR INTAKE MT.D.GREY	15,41	18,80
	911062	18 08 357 0	4512048380526	GT-AIR UPPER AIR INTAKE S.RED	15,41	18,80
	911063	18 08 352 0	4512048380533	GT-AIR UPPER AIR INTAKE WHITE/SMOKE	15,41	18,80
	911064	18 08 351 0	4512048380540	GT-AIR UPPER AIR INTAKE WHITE	15,41	18,80
	911040	18 02 158 0	4512048380236	CNS-1 BASE PLATE	20,34	24,81
	910666	18 02 140 0	4512048302986	QRSA SCREW	10,05	12,26
	910931	18 00 477 0	4512048533892	MICRO RATCHET RUBBER COVER	4,22	5,15

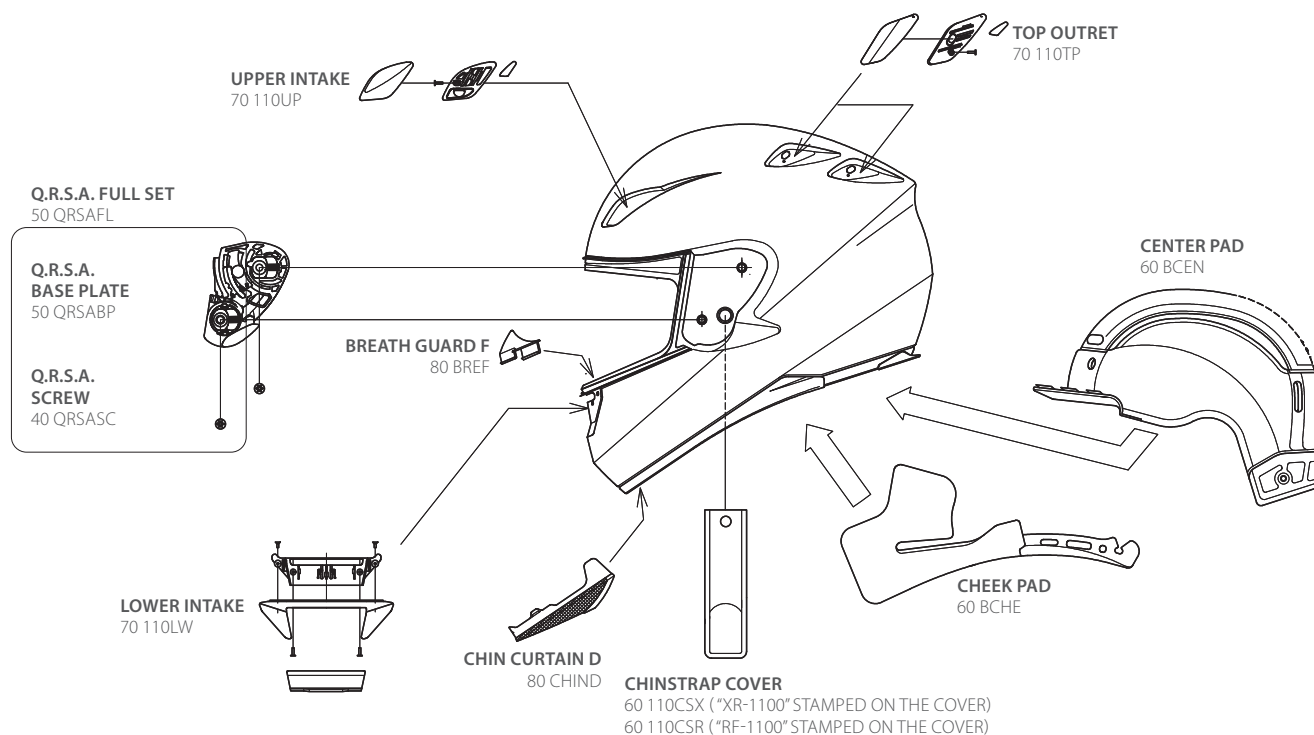
RICAMBI NEOTEC



	CODICE	Codice SD	Codice JAN	DESCRIZIONE	€ IVA esclusa	€ IVA INCLUSA
VISIERE	900052	17 21 000 1	4512048354848	CNS-1 WITH PIN CLEAR	56,43	68,84
	900050	17 28 000 0	4512048493042	CWR - CW1 - CNS - CNS3 EVO PINLOCK SHEET	38,20	46,60
	910908	18 20 000 0	4512048356668	QSV-1 SUN VISOR DARK	33,00	40,26
	911166	18 20 001 0	4512048520984	QSV-1 SUN VISOR HIGH DEFINITION YELLOW	33,00	40,26
ACCESSORI	960026	19 02 017 0	4512048357092	CHIN CURTAIN E (PELLE)	18,87	23,02
	960027	19 02 019 0	4512048357627	CHIN CURTAIN F (MESH TRAFORATO)	18,87	23,02
	960018	19 01 010 0	4512048303587	BREATH GUARD F	18,87	23,02
IMBOTTITURE	950146	18 03 264 0	4512048356903	TYPE-C CHEEK PAD 31	40,01	48,81
	950129	18 03 265 0	4512048356910	TYPE-C CHEEK PAD 35	40,01	48,81
	950130	18 03 266 0	4512048356927	TYPE-C CHEEK PAD 39	40,01	48,81
	950141	18 03 272 0	4512048356934	EARPAD	8,74	10,66
	950142	18 03 271 0	4512048356941	NEOTEC CHINSTRAP COVER	8,74	10,66
	950131	18 03 256 0	4512048356804	TYPE-C CENTER PAD M9	37,09	45,25

	CODICE	Codice SD	Codice JAN	DESCRIZIONE	€ IVA esclusa	€ IVA INCLUSA
IMBOTTITURE	950134	18 03 253 0	4512048356835	TYPE-C CENTER PAD S9	37,09	45,25
	950136	18 03 263 0	4512048356859	TYPE-C CENTER PAD XL5	37,09	45,25
	950137	18 03 262 0	4512048356866	TYPE-C CENTER PAD XL9	37,09	45,25
	950138	18 03 249 0	4512048356873	TYPE-C CENTER PAD XS13	37,09	45,25
	950140	18 03 250 0	4512048356897	TYPE-C CENTER PAD XS9	37,09	45,25
	950145	18 03 259 0	4512048356774	TYPE-C CENTER PAD L9	37,09	45,25
RICAMBI	910896	18 09 255 0	4512048356958	NEOTEC TOP AIR OUTLET M.ANTHRACITE	17,57	21,44
	910897	18 09 251 0	4512048356965	NEOTEC TOP AIR OUTLET BLACK	17,57	21,44
	910898	18 09 253 0	4512048356989	NEOTEC TOP AIR OUTLET L.SILVER	17,57	21,44
	910899	18 09 254 0	4512048356996	NEOTEC TOP AIR OUTLET MT.BLACK	17,57	21,44
	910900	18 09 252 0	4512048357009	NEOTEC TOP AIR OUTLET WHITE	17,57	21,44
	910901	18 09 256 0	4512048357016	NEOTEC TOP AIR OUTLET W.RED	17,57	21,44
	910945	18 09 258 0	4512048371715	NEOTEC TOP AIR OUTLET MT.D. GREY	17,57	21,44
	910902	18 08 272 0	4512048357023	NEOTEC UPPER AIR INTAKE M.ANTHRACITE	15,41	18,80
	910903	18 08 269 0	4512048357030	NEOTEC UPPER AIR INTAKE BLACK	15,41	18,80
	910904	18 08 271 0	4512048357054	NEOTEC UPPER AIR INTAKE L.SILVER	15,41	18,80
	910905	18 08 273 0	4512048357061	NEOTEC UPPER AIR INTAKE MT.BLACK	15,41	18,80
	910906	18 08 270 0	4512048357078	NEOTEC UPPER AIR INTAKE WHITE	15,41	18,80
	910907	18 08 274 0	4512048357085	NEOTEC UPPER AIR INTAKE W.RED	15,41	18,80
	910987	18 08 278 0	4512048371722	NEOTEC UPPER AIR INTAKE MT.D.GREY	15,41	18,80
	910931	18 00 477 0	4512048533892	MICRO RATCHET RUBBER COVER	4,22	5,15

RICAMBI XR-1100



	CODICE	Codice SD	Codice JAN	DESCRIZIONE	€ IVA esclusa	€ IVA INCLUSA
VISIERE	900050	17 28 000 0	4512048493042	CWR - CW1 - CNS - CNS3 EVO PINLOCK SHEET	38,20	46,60
	900037	17 16 000 1	4512048303600	CW-1 WITH PIN CLEAR E6	56,43	68,84
	900039	17 16 003 1	4512048303716	CW-1 WITH PIN DARK SMOKE	56,43	68,84
	900041	17 16 009 1	4512048303730	CW-1 WITH PIN HALF TINTED	72,07	87,93
	900040	17 16 007 1	4512048303723	CW-1 WITH PIN HIGH DEFINITION	56,43	68,84
	900038	17 16 001 1	4512048303617	CW-1 WITH PIN MELLOW SMOKE E6	56,43	68,84
	900042	17 16 005 1	4512048303747	CW-1 WITH PIN SPECTRA BLUE (MSMO BASE)	85,96	104,87
	900043	17 16 010 1	4512048303754	CW-1 WITH PIN SPECTRA FIRE ORANGE (LSMO)	85,96	104,87
	900044	17 16 006 1	4512048303761	CW-1 WITH PIN SPECTRA GOLD (LSMO BASE)	85,96	104,87
	900045	17 16 004 1	4512048303778	CW-1 WITH PIN SPECTRA SILVER (SSMO BASE)	85,96	104,87
	900046	17 18 000 0	4512048303846	CWF-1 CLEAR	104,18	127,10
	900048	17 18 003 0	4512048303860	CWF-1 DARK SMOKE	104,18	127,10
	900047	17 18 001 0	4512048303853	CWF-1 MELLOW SMOKE	104,18	127,10
	900049	17 30 000 0	4512048493325	CWF-1 PINLOCK SHEET CLEAR	38,20	46,60

	CODICE	Codice SD	Codice JAN	DESCRIZIONE	€ IVA esclusa	€ IVA INCLUSA
BASI MECCANISMO	910668	18 02 142 0	4512048303006	QRSA FULL SET	22,16	27,04
	910666	18 02 140 0	4512048302986	QRSA SCREW	10,05	12,26
ACCESSORI	960018	19 01 010 0	4512048303587	BREATH GUARD F	18,87	23,02
	960019	19 02 016 0	4512048303594	CHIN CURTAIN D	21,70	26,47
IMBOTTITURE	950103	18 03 224 0	4512048303112	TYPE-B CENTER PAD L9	35,37	43,15
	950102	18 03 223 0	4512048303105	TYPE-B CENTER PAD M9	35,37	43,15
	950101	18 03 222 0	4512048303099	TYPE-B CENTER PAD S9	35,37	43,15
	950117	18 03 226 0	4512048312565	TYPE-B CENTER PAD XL5	35,37	43,15
	950104	18 03 225 0	4512048303129	TYPE-B CENTER PAD XL9	35,37	43,15
	950099	18 03 220 0	4512048303075	TYPE-B CENTER PAD XS13	35,37	43,15
	950100	18 03 221 0	4512048303082	TYPE-B CENTER PAD XS9	35,37	43,15
	950118	18 03 227 0	4512048312589	TYPE-B CENTER PAD XXL5	35,37	43,15
	950093	18 03 210 0	4512048303013	TYPE-B CHEEK PAD 31	39,29	47,93
	950094	18 03 211 0	4512048303020	TYPE-B CHEEK PAD 33	39,29	47,93
	950095	18 03 212 0	4512048303037	TYPE-B CHEEK PAD 35	39,29	47,93
	950096	18 03 213 0	4512048303044	TYPE-B CHEEK PAD 37	39,29	47,93
	950097	18 03 214 0	4512048303051	TYPE-B CHEEK PAD 39	39,29	47,93
	950098	18 03 215 0	4512048303068	TYPE-B CHEEK PAD 41	39,29	47,93
	950105	18 03 230 0	4512048303143	XR-1100 CHIN STRAP COVER	8,74	10,66
RICAMBI	910687	18 07 140 0	4512048303464	XR/RF-1100 LOWER INTAKE BLACK	11,40	13,91
	910694	18 07 147 0	4512048303549	XR/RF-1100 LOWER INTAKE MT.BLACK	11,41	13,92
	910678	18 09 190 0	4512048303327	XR/RF-1100 TOP OUTLET BLACK	12,50	15,25
	910684	18 09 196 0	4512048303402	XR/RF-1100 TOP OUTLET MT.BLACK	21,49	26,22
	910669	18 08 300 0	4512048303181	XR/RF-1100 UPPER INTAKE BLACK	12,11	14,77
	910675	18 08 306 0	4512048303266	XR/RF-1100 UPPER INTAKE MT.BLACK	12,11	14,77

ALTRI RICAMBI

	CODICE	Codice SD	Codice JAN	DESCRIZIONE	€ IVA esclusa	€ IVA INCLUSA
RICAMBI	910036	18 08 100 0	4512048122140	OVAL INTAKE BLACK	9,16	11,18
	910038	18 08 112 0	4512048122164	OVAL INTAKE WHITE	9,16	11,18
	910024	18 02 080 0	4512048121747	QR-J SCREW	4,88	5,95
	910031	18 02 081 0	4512048121877	QR-J BASE	6,61	8,06
	980063	19 04 009 0		SHOEI HELMET BOX NO.10	4,88	5,95
	980064	19 04 010 0		SHOEI HELMET BOX NO.11	4,88	5,95
	980054	19 04 011 0		SHOEI HELMET BOX NO.12	4,88	5,95
	980055	19 04 014 0		SHOEI HELMET BOX NO.15	4,88	5,95
	910869	19 04 015 0		SHOEI HELMET BOX NO.9	4,88	5,95



FELPE



T-SHIRT



CAPPELLINI

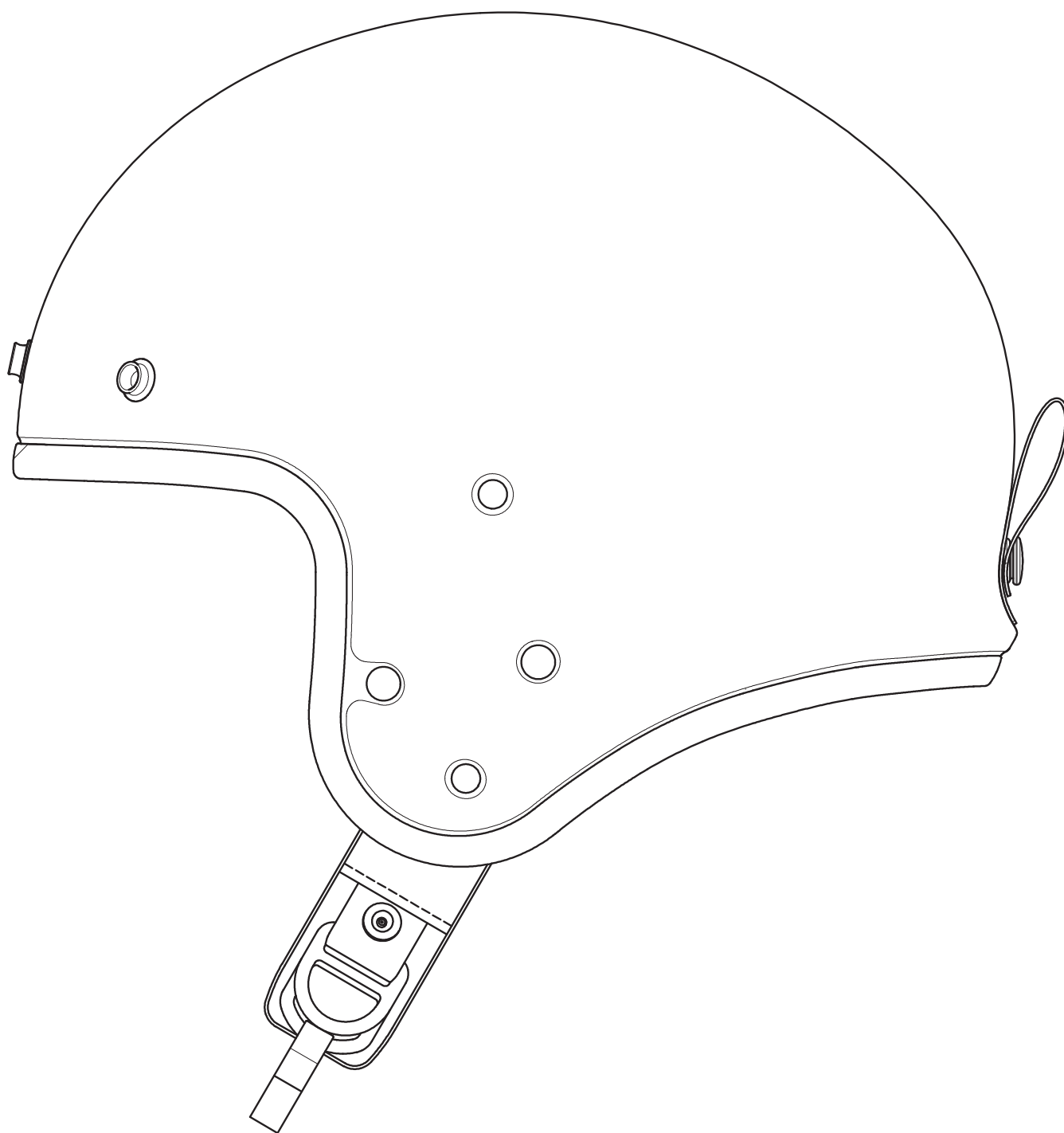


CUFFIA INVERNALE

	ARTICOLO	DESCRIZIONE	€ IVA esclusa	€ IVA INCLUSA
FELPE	8001UNIC BLK L	FELPA CON ZIP E CAPPuccio NERO	57,37	69,99
	8001UNIC BLK M	FELPA CON ZIP E CAPPuccio NERO	57,37	69,99
	8001UNIC BLK S	FELPA CON ZIP E CAPPuccio NERO	57,37	69,99
	8001UNIC BLK XL	FELPA CON ZIP E CAPPuccio NERO	57,37	69,99
	8001UNIC BLU L	FELPA CON ZIP E CAPPuccio AZZURRO	57,37	69,99
	8001UNIC BLU M	FELPA CON ZIP E CAPPuccio AZZURRO	57,37	69,99
	8001UNIC BLU S	FELPA CON ZIP E CAPPuccio AZZURRO	57,37	69,99
	8001UNIC BLU XL	FELPA CON ZIP E CAPPuccio AZZURRO	57,37	69,99
	8001UNIC LGREL	FELPA CON ZIP E CAPPuccio GRIGIO	57,37	69,99
	8001UNIC LGREM	FELPA CON ZIP E CAPPuccio GRIGIO	57,37	69,99
	8001UNIC LGRES	FELPA CON ZIP E CAPPuccio GRIGIO	57,37	69,99
	8001UNIC LGREXL	FELPA CON ZIP E CAPPuccio GRIGIO	57,37	69,99
T-SHIRT	8101UNIC BLK L	T-SHIRT NERO	28,68	34,99
	8101UNIC BLK M	T-SHIRT NERO	28,68	34,99
	8101UNIC BLK S	T-SHIRT NERO	28,68	34,99
	8101UNIC BLK XL	T-SHIRT NERO	28,68	34,99
	8101UNIC BLU L	T-SHIRT AZZURRO	28,68	34,99
	8101UNIC BLU M	T-SHIRT AZZURRO	28,68	34,99
	8101UNIC BLU S	T-SHIRT AZZURRO	28,68	34,99
	8101UNIC BLU XL	T-SHIRT AZZURRO	28,68	34,99
	8101UNIC GREYL	T-SHIRT GRIGIO	28,68	34,99
	8101UNIC GREYM	T-SHIRT GRIGIO	28,68	34,99
	8101UNIC GREYS	T-SHIRT GRIGIO	28,68	34,99
	8101UNIC GREYXL	T-SHIRT GRIGIO	28,68	34,99
	8101UNIC RED L	T-SHIRT ROSSO	28,68	34,99
	8101UNIC RED M	T-SHIRT ROSSO	28,68	34,99
	8101UNIC RED S	T-SHIRT ROSSO	28,68	34,99
	8101UNIC RED XL	T-SHIRT ROSSO	28,68	34,99
	8101UNIC SANDL	T-SHIRT BEIGE	28,68	34,99
	8101UNIC SANDM	T-SHIRT BEIGE	28,68	34,99
8101UNIC SANDS	T-SHIRT BEIGE	28,68	34,99	
8101UNIC SANDXL	T-SHIRT BEIGE	28,68	34,99	
CAPPELLINI	8201UNIC BLKB	BASE CAP NERO LOGO NERO	24,58	29,99
	8201UNIC BLKW	BASE CAP NERO LOGO BIANCO	24,58	29,99
	8201UNIC WHTB	BASE CAP BIANCO LOGO NERO	24,58	29,99
	8301UNIC BLKG	TRUCKER NERO LOGO GRIGIO	24,58	29,99
	8301UNIC WHBL	TRUCKER BIANCO LOGO BLU	24,58	29,99
CUFFIE INVERNALI	8401UNIC BLU	BEANIE BLU	24,58	29,99
	8401UNIC BLK	BEANIE NERO	24,58	29,99

COLORA IL TUO DDS SHOEI

J·0 21



DDS
CAMPIONE
DEL MONDO
MOTOGP
2025



@shoeitalia | pro-testa.it | shoei.it



DISPOSITIVI DI SICUREZZA